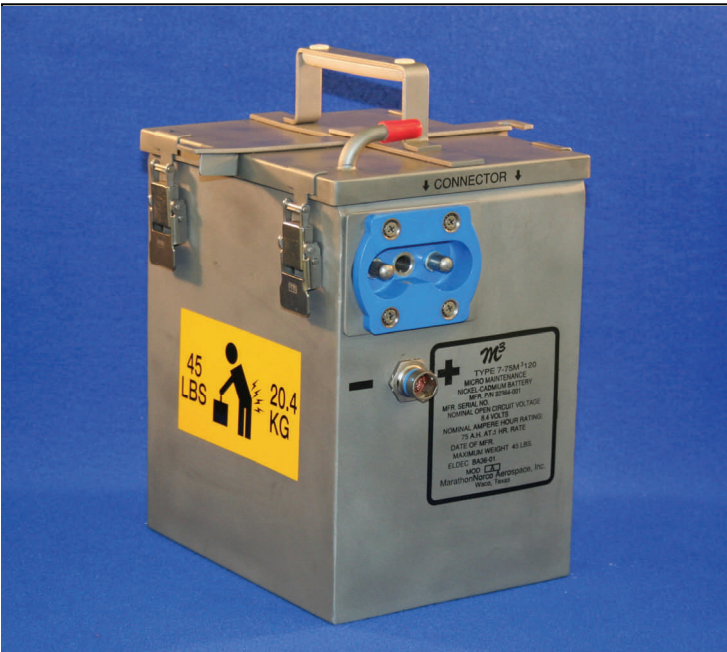




7-75M³120

P/N 32364-001



TECHNICAL DESCRIPTION

The model 7-75M³120 (P/N 32364-001) is a 7-cell Micro-Maintenance battery, with a nominal voltage of 8.4V, and a nominal capacity of 75 Ah, at a weight of only 45 lbs. (max). The 7-75M³120 will provide an Imp (15-second discharge @ maximum power transfer) of 1200 amps at room temperature.

STANDARD WARRANTY: 2 years

APPLICATION

The 7-75M³120 is designed as a low-maintenance replacement for ELDEC BA-36-01 batteries, offering both a higher capacity and lower maintenance costs.

The 7-75M³120 is currently PMA'd for the following applications:

Boeing Aircraft: 717-200 Series
McDonnell Douglas: MD-90-30

The 7-75M³120 provides significant maintenance-cost savings for Boeing 717-200 applications.

PHYSICAL SPECIFICATIONS

Length: 7.85" max
Width: 6.50" max
Height: 10.19" max
Weight: 45 lbs.(44 lbs. typical)
Connector: MS3509

ELECTRICAL SPECIFICATIONS

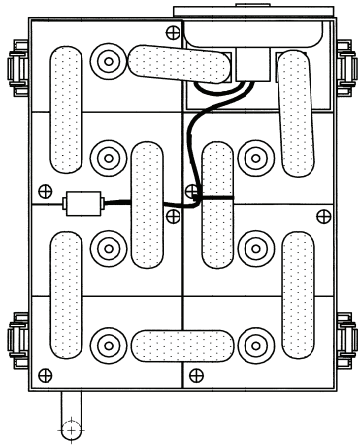
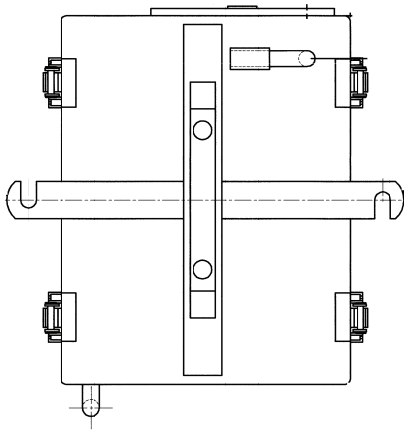
Voltage: 8.4 volts (nominal)
Capacity: 75Ah minimum (at C-rate)
Imp : 1200A @ 15 seconds
(Discharge current at maximum power transfer)

The Marathon Micro-Maintenance M^3 battery is a greatly improved nickel-cadmium (Ni-Cd) battery that features:

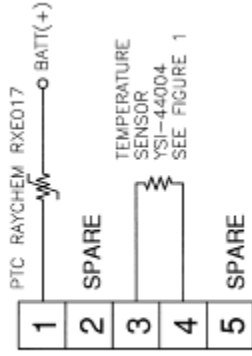
- Significantly Increased Maintenance Intervals
- Very Low Water Consumption
- Excellent Capacity Retention During Extended Cycling
- Same Physical Size As Standard Ni-Cd
- Same Weight As Standard Ni-Cd
- Better Capacity Than Standard Ni-Cd
- Same Or Better Power Than The Standard Ni-Cd

The battery incorporates a state-of-the-art negative pasted electrode that provides high volumetric and gravimetric energy density. This, along with the standard sintered positive electrode, provides a high capacity battery with excellent power. Other characteristics of the battery include our long life separators, nylon cell cases and covers. The design of the battery increases the electrolyte reserve to more than two times the standard Ni-Cd battery.

The M^3 battery was designed to increase the battery maintenance interval. This design has reduced electrolyte consumption, coupled with an increased electrolyte reserve, results in a increased maintenance interval of two to six times.

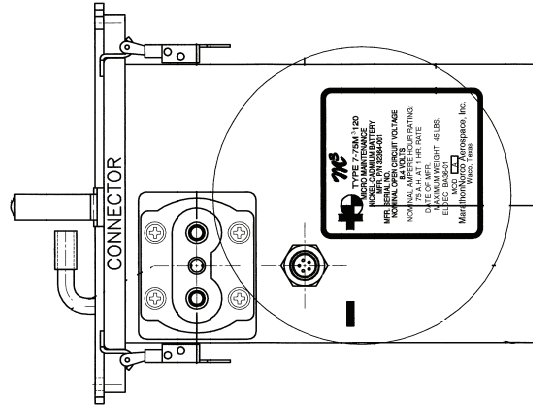
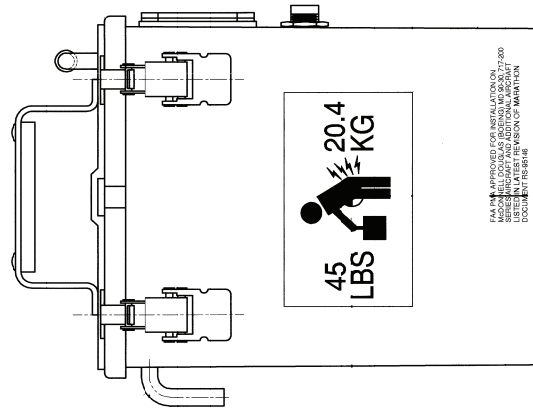


7-CELL ARRANGEMENT



M83723/74R1005N
JAM NUT RECEPTACLE

SCHEMATIC



MarathonNorco
Aerospace®

8301 Imperial Drive
Waco, TX, 76712

(254) 776-0650 FAX (254) 776-6558
www.mmaerospace.com