



TCA-52

P/N 31433-001



APPLICATION

The TCA-52 is a replacement for the OEM Battery P/N 43B050LB01.

The battery was approved by Boeing in March 2006 as an alternate part number due to operator reports about poor reliability of the existing OEM Battery. Boeing approved the TCA-52 for all DC-10, KC-10, MD-10, and MD-11 series aircraft and the battery is interchangeable with the existing OEM battery without any modification to the aircraft.

The TCA-52 battery is FAA-PMA Approved for DC-10, MD-10, and MD-11 series aircraft.

**The TCA-52 provides significant
Maintenance-cost savings for
Boeing applications**

TECHNICAL DESCRIPTION

The TCA-52 (P/N 31433-001) is an 11 cell Nickel-Cadmium battery, with a nominal voltage of 14V, and a nominal capacity of 53 Ah, at a weight of only 63 lbs. Two of the 14-volt batteries in series provide 28 volt power for the aircraft's DC buss.

STANDARD WARRANTY: 2 years

PHYSICAL SPECIFICATIONS

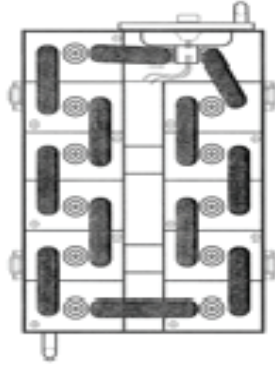
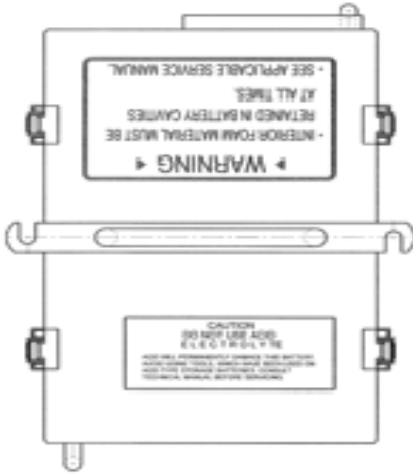
Length: 11.58"
Width: 7.68"
Height: 10.19"
Weight: 63 lbs.

ELECTRICAL SPECIFICATIONS

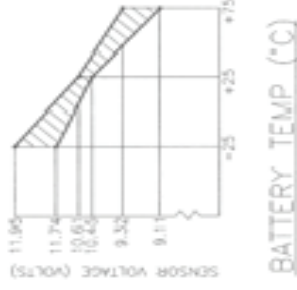
Voltage: 14.0 volts
Capacity: 53 Ah
Imp : 1000A @ 15 seconds
(Maximum Power)

The Marathon TCA-52 battery is a greatly improved nickel-cadmium (Ni-Cd) battery that features:

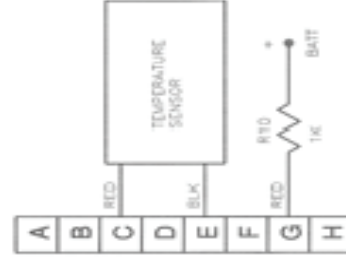
- Significantly Increased Maintenance Intervals
- Very Low Water Consumption
- Large Electrolyte Reserve
- Excellent Capacity Retention During Extended Cycling
- Celgard© Gas Barrier System replacing OEM Cellophane Gas Barrier has eliminated Thermal Runaway



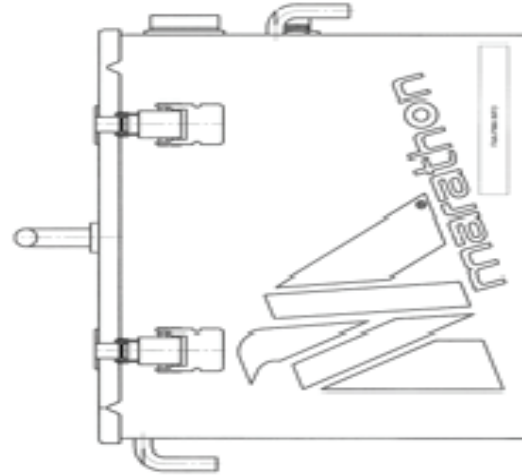
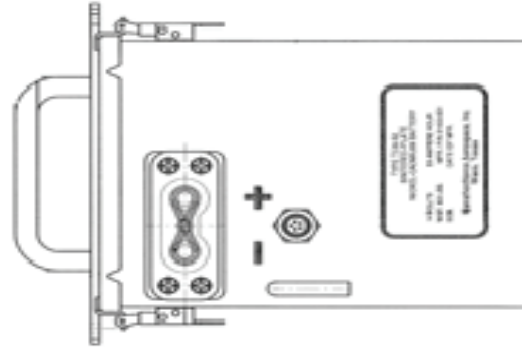
11-CELL ARRANGEMENT



BATTERY TEMP (°C)



SCHEMATIC



8301 Imperial Drive
 Waco, TX, 76712
 (254) 776-0650 FAX (254) 776-6558
 www.mnaerospace.com