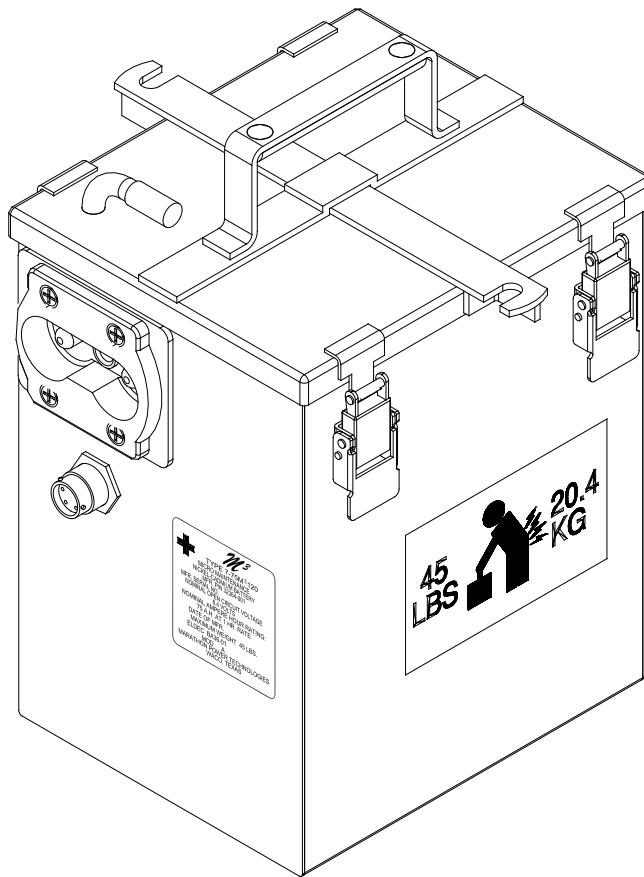




Nickel-Cadmium Aircraft Batteries

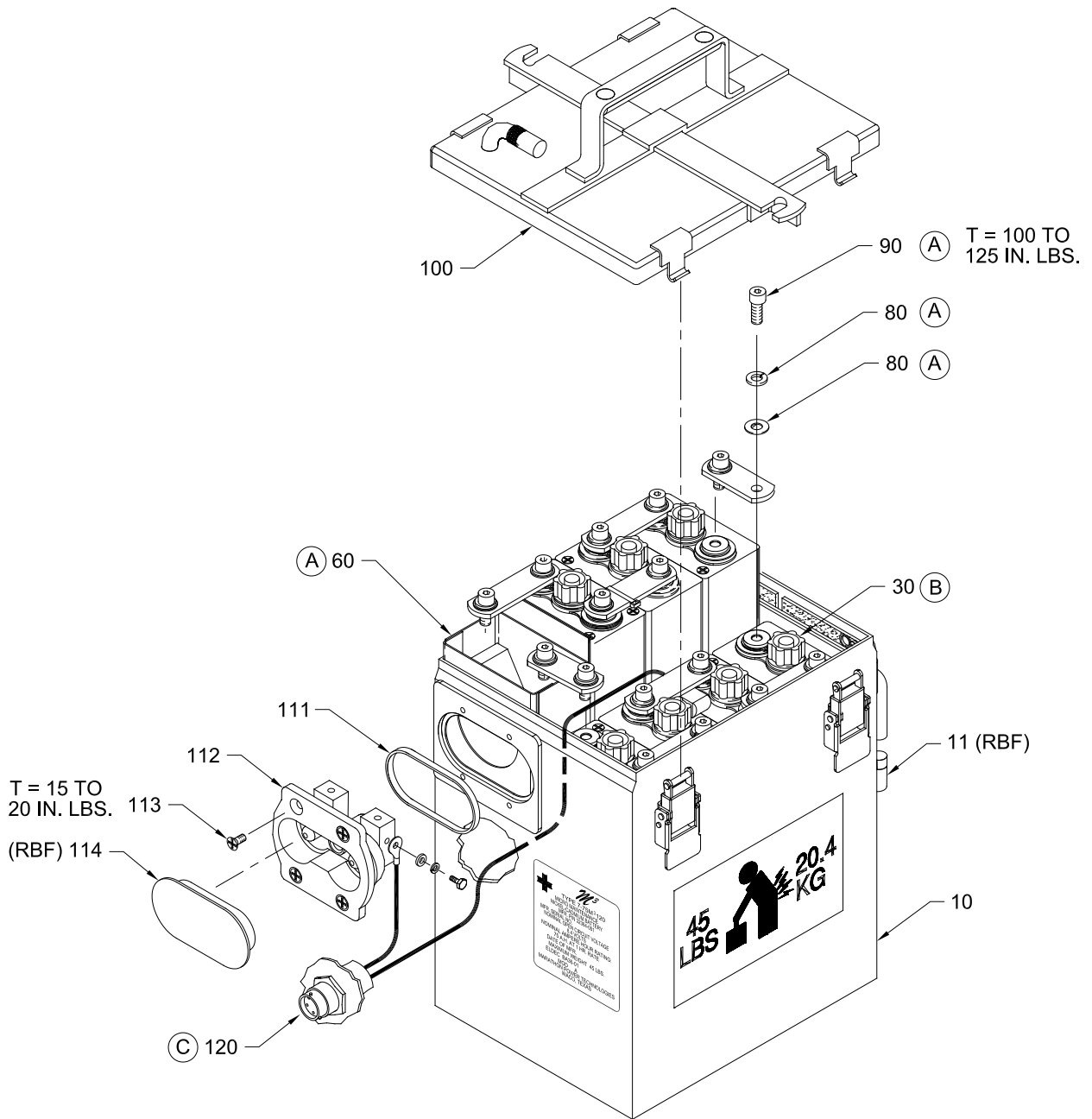
Model 75M³120 (P/N 32364-001) Battery Replacement Parts



MarathonNorco Aerospace

PO Box 8233, Waco, Texas 76714-8233
8301 Imperial Dr., Waco, Texas 76712
Phone (254) 776-0650 / Fax (254) 776-6558

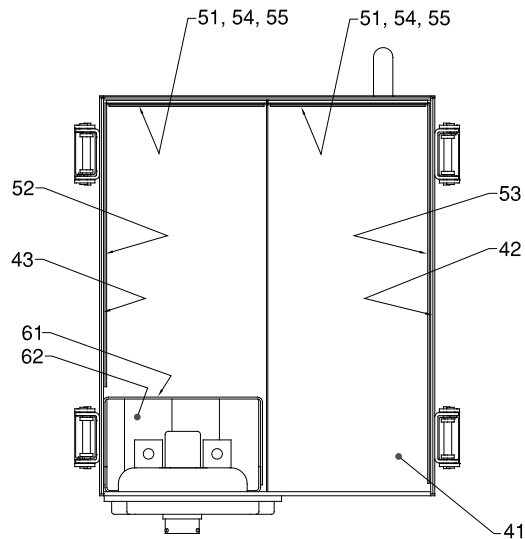
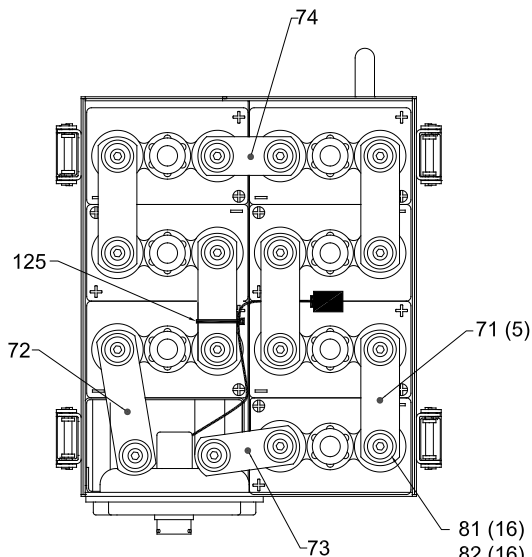
IPL-1061
DCR 58864 REV -



MarathonNorco Aerospace

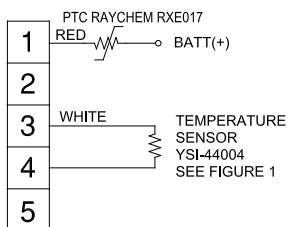
PO Box 8233, Waco, Texas 76714-8233
 8301 Imperial Dr., Waco, Texas 76712
 Phone (254) 776-0650 / Fax (254) 776-6558

IPL-1061
 DCR 58864 REV -

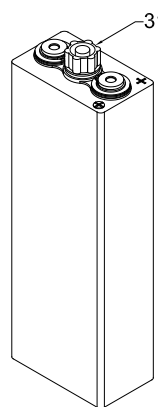


T = 100 TO
125 IN. LBS.

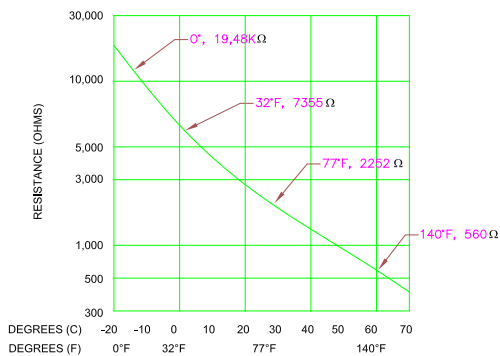
40 THRU 90 REF.
DETAIL A
T=TORQUE



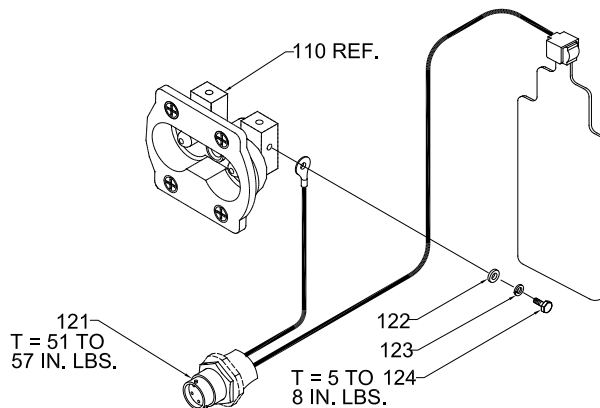
SCHEMATIC



30 REF.
DETAIL B



TEMPERATURE SENSOR CHARACTERISTIC



120 REF.
DETAIL C
T = TORQUE

MarathonNorco Aerospace

PO Box 8233, Waco, Texas 76714-8233
8301 Imperial Dr., Waco, Texas 76712
Phone (254) 776-0650 / Fax (254) 776-6558

IPL-1061
DCR 58864 REV -

ILLUSTRATED PARTS LIST

Figure item	Part Number	Nomenclature	Units Per Assy
1	32364-001	BATTERY, 7-75M ³ 120 NI-CAD	1
-10	40516-003	CAN ASSY, MARKED	1
11	15766-002	DUST CAP (RBF)	2
-30	32495-002	CELL ASSEMBLY, 75M ³ 120 MOD A	7
31	16934-009	FILLER CAP ASSEMBLY & VENT	7
-40		LINERS	
41	32554-002	LINER, BOTTOM	1
42	32555-002	LINER, RIGHT SIDE	1
43	32556-002	LINER, LEFT SIDE	1
-50		SHIMS	
51	9988-174	SHIM	2
52	9988-313	SHIM	1
53	9988-314	SHIM	1
54	9988-317	SHIM	A/R
55	9988-318	SHIM	2
-60		SPACERS	
61	32506-001	ASSEMBLY, SPACER	1
62	32575-001	FILLER	1
-70		CONNECTORS	
71	16102-205	CONNECTOR	5
72	16102-212	CONNECTOR	1
73	16102-213	CONNECTOR	1
74	16102-214	CONNECTOR	1
-80		WASHERS	
81	18100-022	WASHER, FLAT	16
82	6560-017	WASHER, LOCK	16
-90		INTERCONNECTING FASTNERS	
91	10488-011	SCREW, SOCKET HD. CAP	16
-100	40515-001	ASSEMBLY, COVER	1
-110		RECEPTACLE ASSEMBLY	
111	24583-001	RING, RECTANGULAR	1
112	32573-001	ASSEMBLY, RECEPTACLE	1
113	23084-001	SCREW, FL.HD. SEMS	4
114	26916-006	COVER, INSULATOR M ³ (RBF)	1
-120		TEMPERATURE SENSOR	
121	32567-001	SENSOR ASSEMBLY, TEMPERATURE	1
122	18100-057	WASHER , FLAT	1
123	6560-002	WASHER, LOCK	1
124	10246-044	SCREW, HEX HD.	1
125	29247-001	CABLE TIE	1

RBF - REMOVE BEFORE FLIGHT

MarathonNorco Aerospace

PO Box 8233, Waco, Texas 76714-8233
8301 Imperial Dr., Waco, Texas 76712
Phone (254) 776-0650 / Fax (254) 776-6558

IPL-1061
DCR 58864 REV -