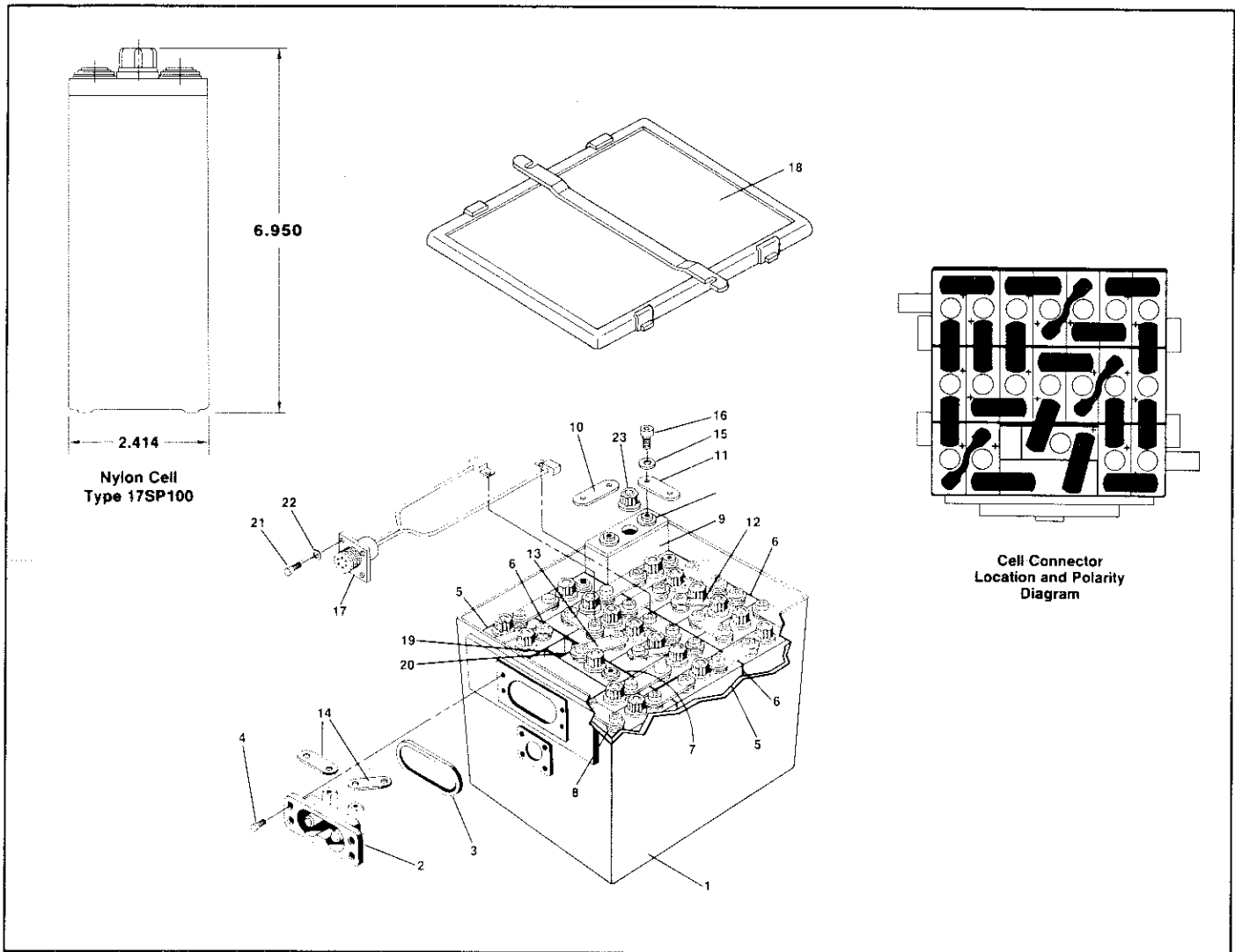


# Marathon Batteries

## Nickel-Cadmium Aircraft Batteries

### Model BTSP-179 Battery Replacement Parts



Item	Description	Part Number	Quantity	Item	Description	Part Number	Quantity
1	Can, Marked	40348-001	1	13	Connector	16102-176	1
2	Assembly, Receptacle	16163-011	1	14	Connector	16102-177	2
3	Ring, Rectangular	24583-001	1	15	Washer, Belleville	16128-028	40
4	Screw, Flat Hd. Sems	23084-001	4	16	Screw, Socket Hd. Cap	10488-020	40
5	Shim	9988-147	2	17	Temperature Sensor	29529-001	1
6	Shim	9988-057	3	18	Cover, Marked	40349-001	1
7	Shim	9988-100	1	19	Assembly, Spacer	27210-008	1
8	Shim	9988-139	4	20	Assembly, Spacer	27210-007	1
9	Cell, Assembly	17SP100	19	21	Screw, Fil. Hd.	15940-028	4
10	Connector	16102-163	7	22	Washer, Lock	8696-001	4
11	Connector	16102-165	7	23	Filler Cap	25529-004	19
12	Connector, S	16167-012	3				

## Marathon Power Technologies

Battery Products

P.O. Box 8233 • Waco, Texas 76714

8301 Imperial Drive • Waco, Texas 76710

(817) 776-0650 • TWX 910-894-5203 MARATHON WAC