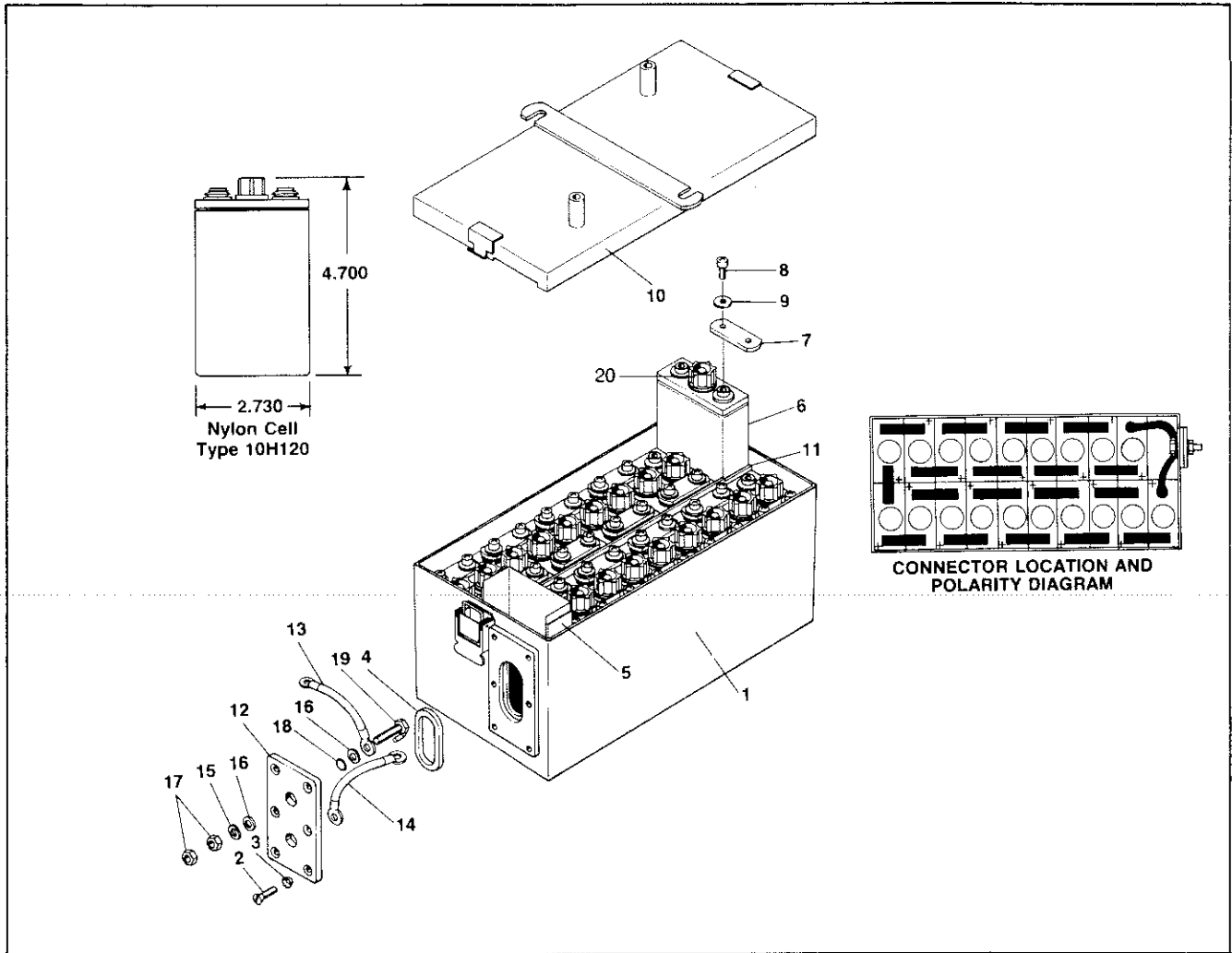




MARATHON POWER TECHNOLOGIES
BATTERY TYPE CA-103
MANUFACTURER'S PART NUMBER 27662-021



REPLACEMENT PARTS SUMMARY
MODEL CA-103 COMMERCIAL NICKEL-CADMIUM AIRCRAFT BATTERY

ITEM	DESCRIPTION	P/N	QTY.	ITEM	DESCRIPTION	P/N	QTY.
1	Can Assembly	27664-001	1	11	Barrier, Cell	27861-001	1
2	Screw, FL. HD.	15925-028	6	12	Plate, Receptacle	27307-002	1
3	Lockwasher	16164-005	6	13	Cable Assy (Negative)	27310-001	1
4	Gasket, Ring	27678-001	1	14	Cable Assy (Positive)	27310-002	1
5	Spacer	27679-001	1	15	Lockwasher	6560-033	2
6	Cell Assembly	10H120	19	16	Flat Washer	18100-051	4
7	Connector	10371-114	18	17	Hex Nut	15111-032	4
8	Screw, Cap. Soc. Hd.	10488-031	38	18	"O" Ring	10343-013	2
9	Spring, Belleville	16128-026	38	19	Hex Head Screw	28493-001	2
10	Cover Assembly	27667-002	1	20	Vent Assembly	16934-001	19

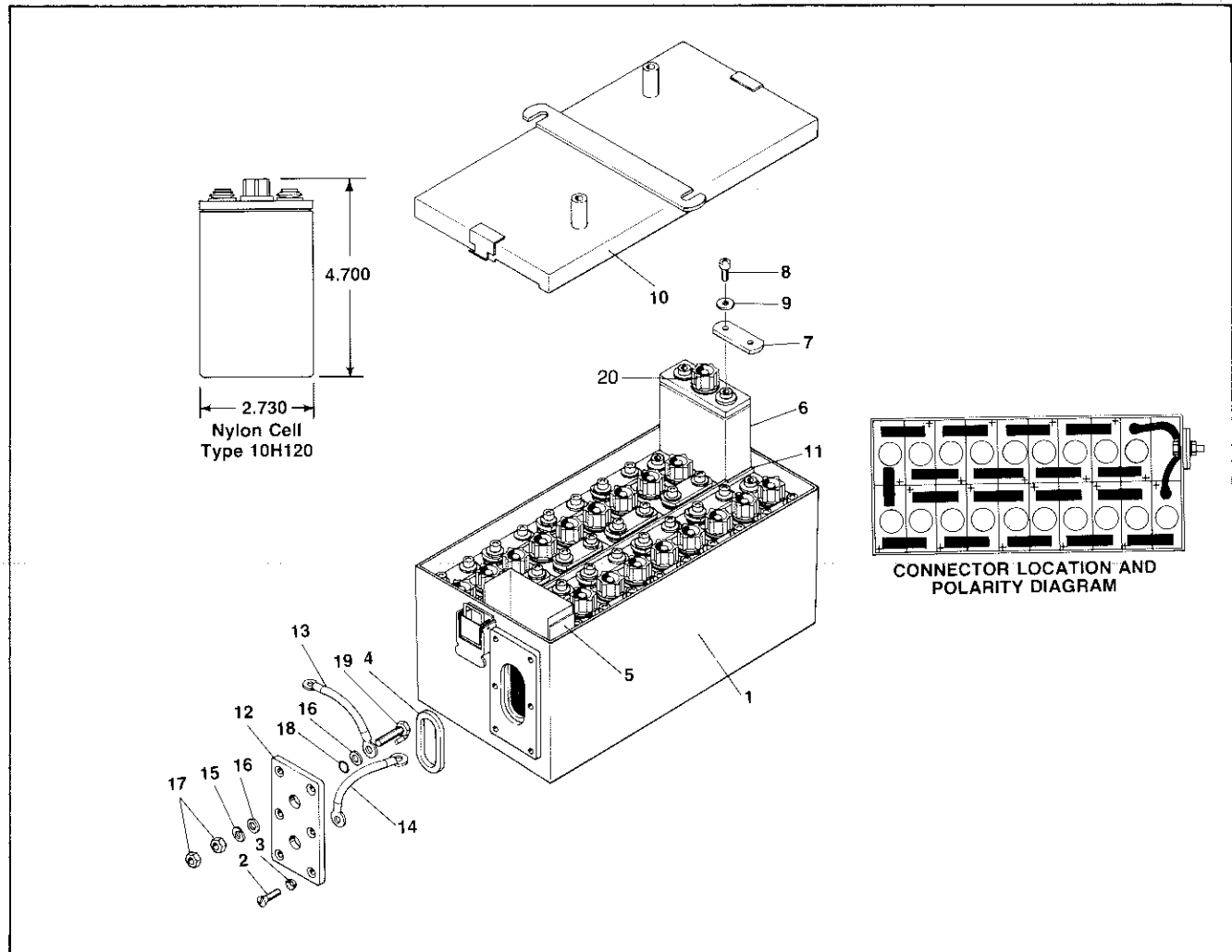
Note: 1. Items 12 through 19 are supplied as a complete assembly P/N 27680-001.
 2. Kit including item 5 and 12 thru 19 is supplied as P/N 28492-001.

Marathon Batteries

Sintered-Plate Nickel-Cadmium Aircraft Batteries

Parts List

CA-103



Replacement Parts Summary

Model CA-103 Commercial Nickel-Cadmium Aircraft Battery

Item	Description	Part Number	Quantity	Item	Description	Part Number	Quantity
1	Can Assembly	27664	1	11	Barrier, Cell	27861	1
2	Screw, FL. HD.	15925-28	6	12	Plate, Receptable	27307-2	1
3	Lockwasher	16164-5	6	13	Cable Assy (Negative)	27310-1	1
4	Gasket, Ring	27678	1	14	Cable Assy (Positive)	27310-2	1
5	Spacer	27679	1	15	Lockwasher	6560-33	2
6	Cell Assembly	10H120	19	16	Flat Washer	18100-23	4
7	Connector	10371-114	18	17	Hex Nut	15111-32	4
8	Screw, Cap, Soc. Hd.	10433-31	38	18	"O" Ring	10343-13	2
9	Spring, Belleville	16128-26	38	19	Hex Head Screw	28493	2
10	Cover Assembly	27667	1	20	Vent Assembly	16934-1	19

NOTE: 1. Items 12 through 19 are supplied as a complete assembly P/N 27680.

2. Kit including item 5 and 12 thru 19 is supplied as P/N 28492



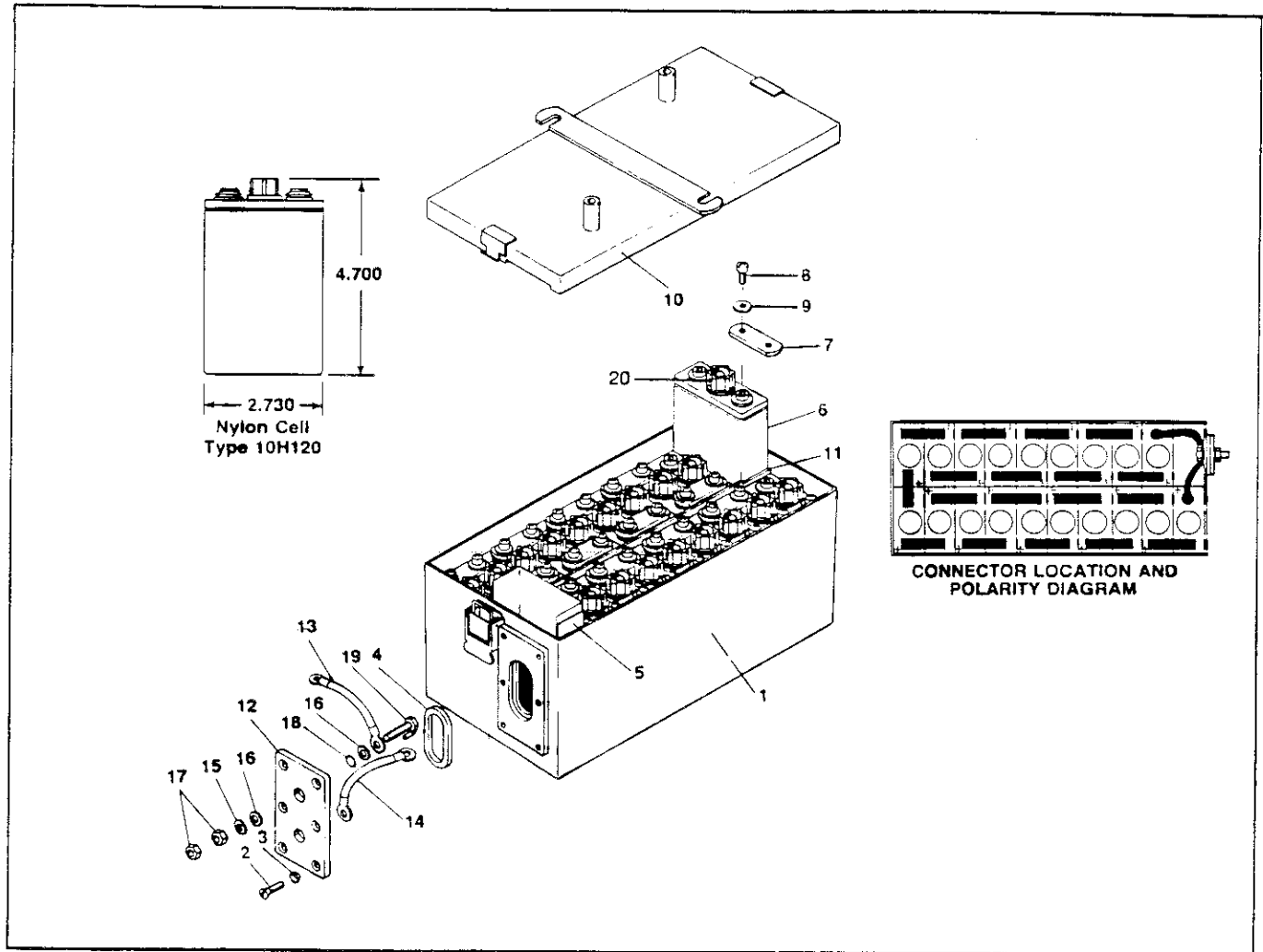
8301 IMPERIAL DRIVE • P. O. BOX 8233 • WACO, TEXAS 76710
DIVISION OF MARATHON MANUFACTURING COMPANY • HOUSTON, TEXAS 77002

Marathon Batteries

Sintered-Plate Nickel-Cadmium Aircraft Batteries

Parts List

CA-103



Replacement Parts Summary Model CA-103 Commercial Nickel-Cadmium Aircraft Battery

Item	Description	Part Number	Quantity	Item	Description	Part Number	Quantity
1	Can Assembly	27664	1	11	Barrier, Cell	27861	1
2	Screw, FL. HD.	15925-28	6	12	Plate, Receptable	27307-2	1
3	Lockwasher	16164-5	6	13	Cable Assy (Negative)	27310-1	1
4	Gasket, Ring	27678	1	14	Cable Assy (Positive)	27310-2	1
5	Spacer	27679	1	15	Lockwasher	6560-33	2
6	Cell Assembly	10H120	19	16	Flat Washer	18100-23	4
7	Connector	10371-114	18	17	Hex Nut	15111-32	4
8	Screw, Cap. Soc. Hd.	10433-31	38	18	"O" Ring	10343-13	2
9	Spring, Belleville	16128-26	38	19	Hex Head Screw	28493	2
10	Cover Assembly	27667	1	20	Vent Assembly	16934-1	19

NOTE: 1. Items 12 through 19 are supplied as a complete assembly P/N 27680.

2. Kit including item 5 and 12 thru 19 is supplied as P/N 28492



8301 IMPERIAL DRIVE • P. O. BOX 8233 • WACO, TEXAS 76710
DIVISION OF MARATHON MANUFACTURING COMPANY • HOUSTON, TEXAS 77002