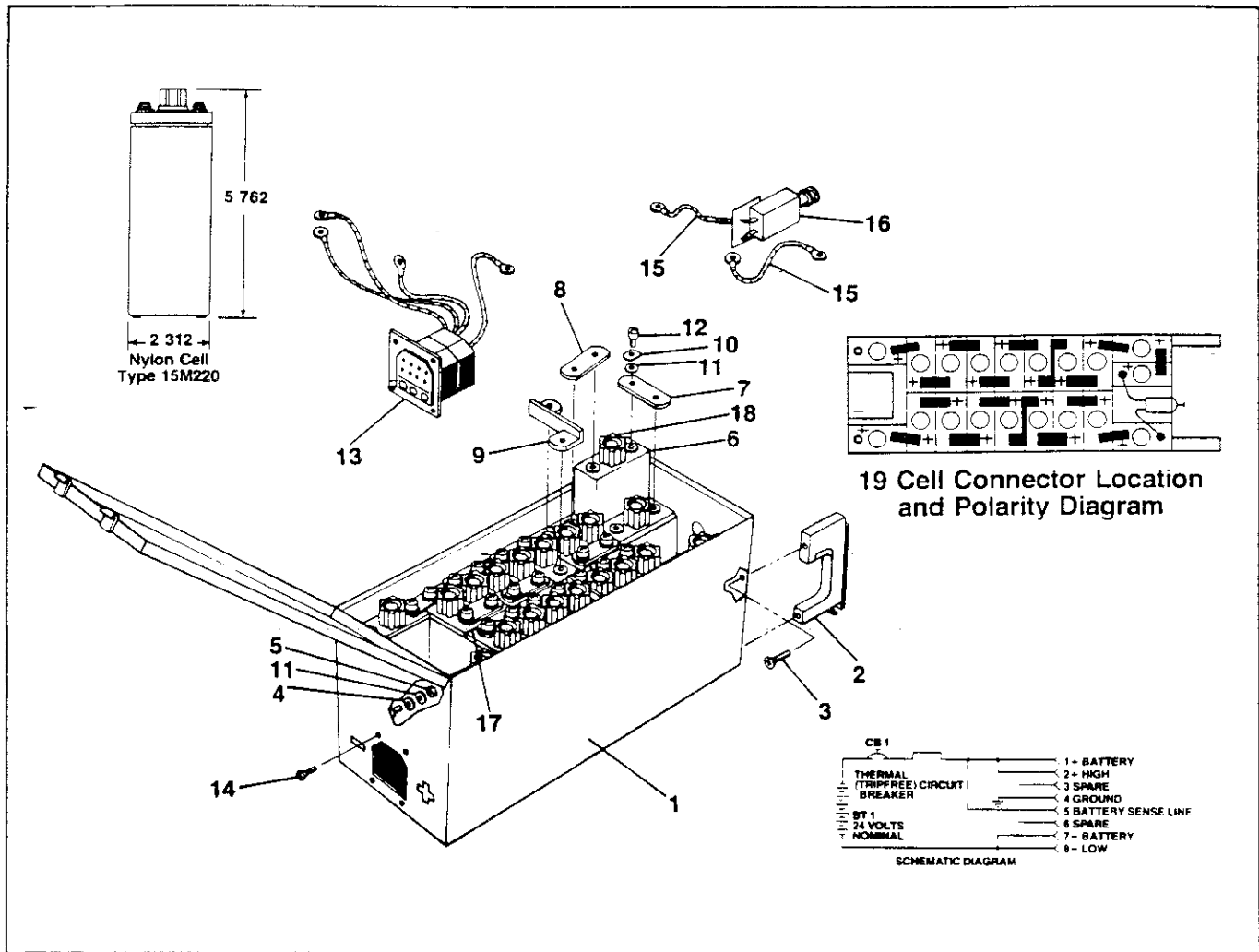


Marathon Power Technologies Company
Sintered-Plate
Nickel-Cadmium
Aircraft Batteries

Parts List
CA-154-1



Model CA-154-1 Battery Replacement Parts

| Item | Description | Part Number | Quantity | Item | Description | Part Number | Quantity |
|------|------------------------|-------------|----------|------|------------------------------|-------------|----------|
| 1 | Battery Box Assembly | 28796-002 | 1 | 10 | Double "D" Washer | 25636-001 | 38 |
| 2 | Latch | 27872-001 | 2 | 11 | Bellevalie Washer | 16128-028 | 39 |
| 3 | Flat Head Screw | 23492-006 | 4 | 12 | Socket Head Cap Screw | 10488-031 | 38 |
| 4 | Flat Washer | 18100-036 | 1 | 13 | Connector and Lead Assembly | 28798-001 | 1 |
| 5 | Hex Nut | 15111-089 | 1 | 14 | Flat Head Screw | 27882-002 | 4 |
| 6 | Cell Assembly (15M220) | 24941-005 | 19 | 15 | Wire and Lug Assembly | 28801-001 | 2 |
| 7 | Connector | 10371-124 | 11 | 16 | Circuit Breaker (20-Amp.) | 27873-001 | 1 |
| 8 | Connector | 10371-136 | 4 | 17 | Separator | 28800-001 | 1 |
| 9 | Connector | 27135-008 | 2 | 18 | Filler Cap and Vent Assembly | 16934-001 | 19 |