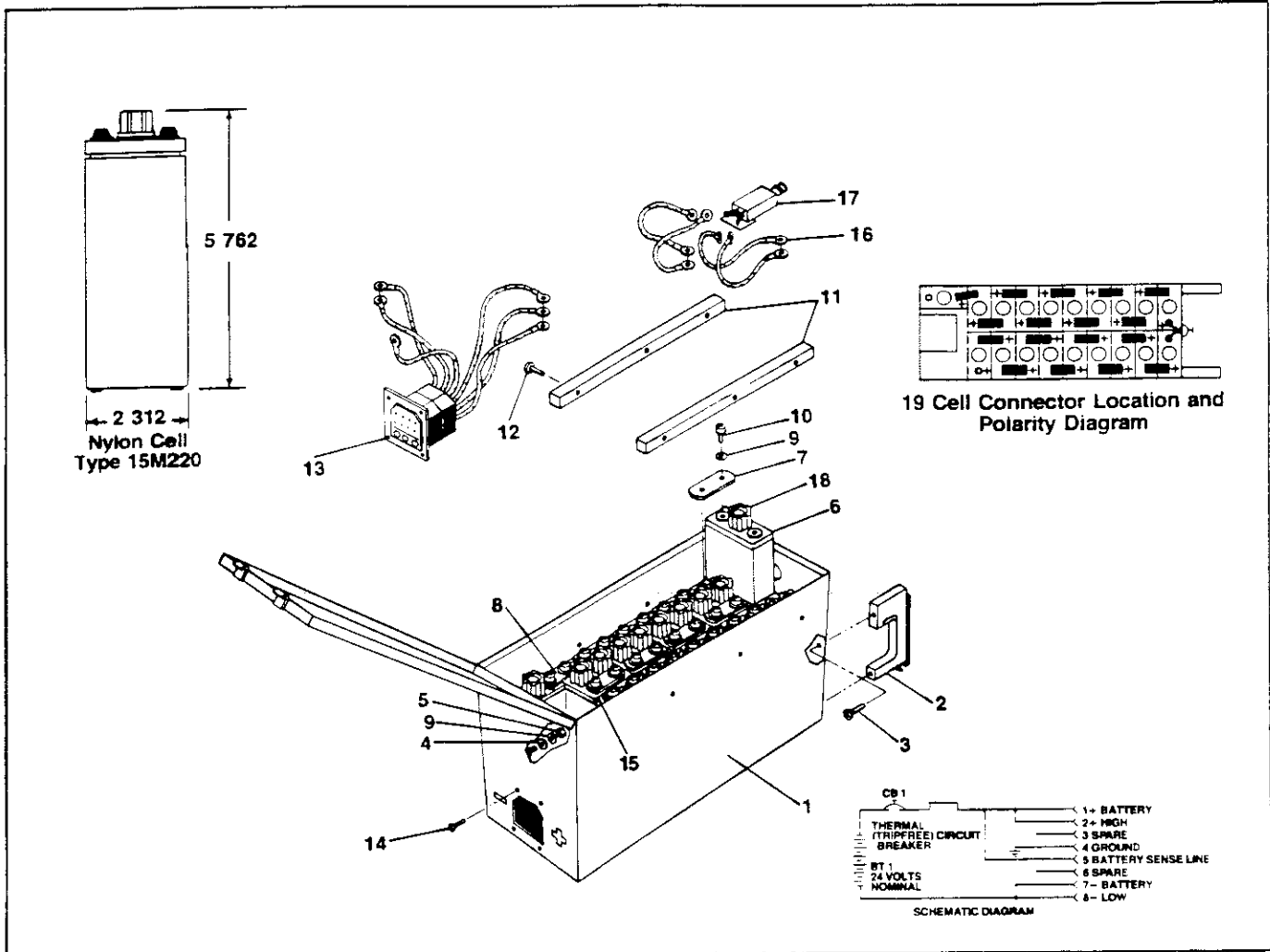


Marathon Power Technologies Company
Sintered-Plate
Nickel-Cadmium
Aircraft Batteries

Parts List
CA-154-2



Model CA-154-2 Battery Replacement Parts

Item	Description	Part Number	Quantity	Item	Description	Part Number	Quantity
1	Battery Box & Cover Assembly	28814-001	1	10	Socket Head Cap Screw	10488-031	38
2	Latch	28885-001	2	11	Cell Hold Down	28816-001	2
3	Flat Head Screw	23492-006	4	12	Pan Head Screw	26702-003	6
4	Flat Washer	18100-036	1	13	Connector and Lead Assembly	28798-002	1
5	Hex Nut	15111-089	1	14	Flat Head Screw	27882-002	4
6	Cell Assembly (15M220)	24941-005	19	15	Separator	28818-001	1
7	Connector	10371-124	16	16	Wire & Lug Assembly	28801-001	4
8	Connector	10371-136	1	17	Circuite Breaker (25-Amp)	27873-002	1
9	Belleville Washer	16128-020	39	18	Filler Cap and Vent Assembly	16934-001	19



Marathon Power Technologies Company

P.O. Box 8233 • Waco, Texas 76714-8233
 8301 Imperial Drive • Waco, Texas 76712-6588
 Phone 817-776-0650 • Fax 817-776-6558