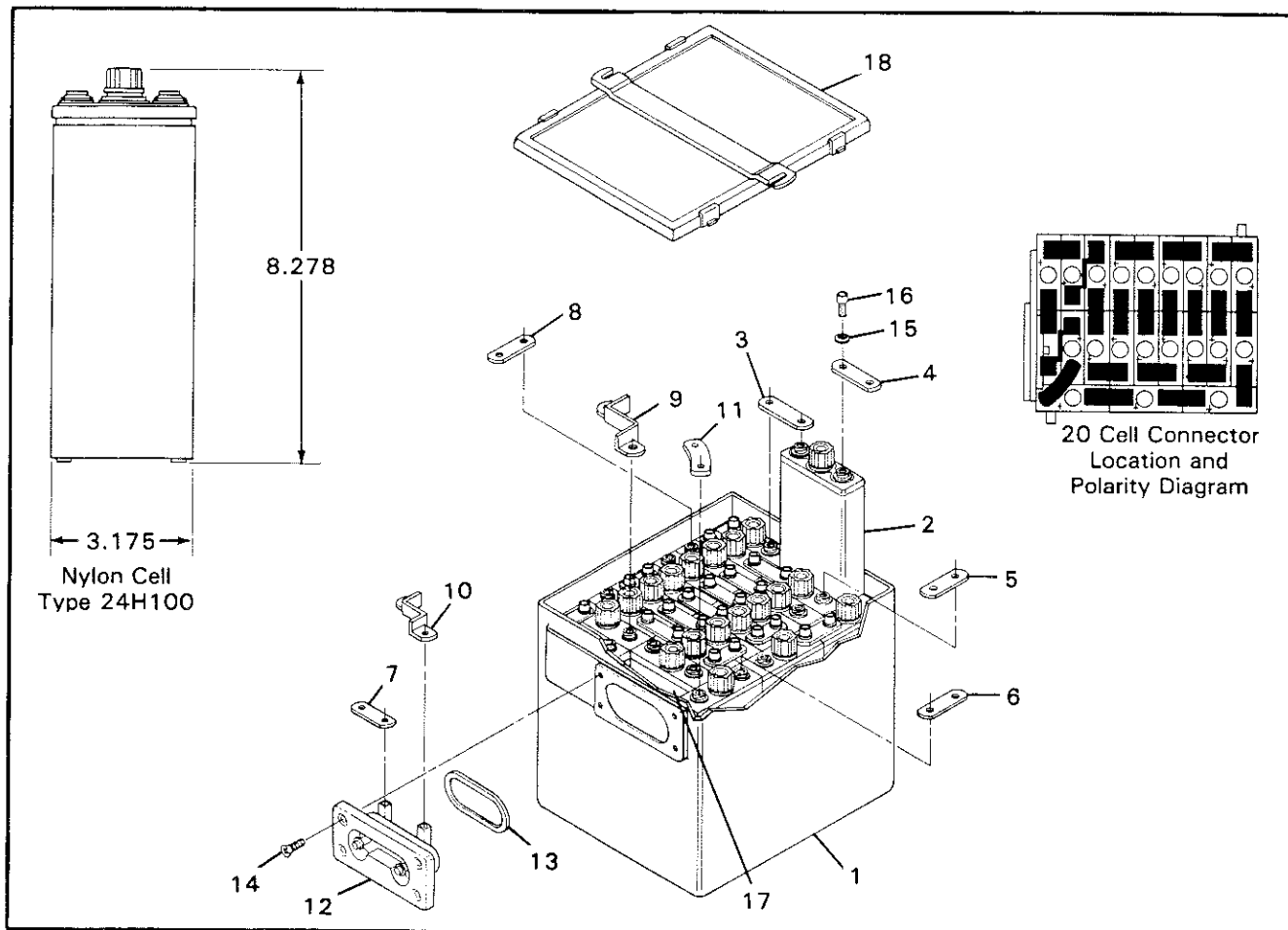


Marathon Batteries

Sintered-Plate Nickel-Cadmium Aircraft Batteries

Parts List

CA-900A
CA-9-20A



Model CA-900A, CA-9-20A Battery Replacement Parts

Item Description	Part Number	Qty	Part Number	Qty
1 Can Assembly	D29215-000	1	CA-900A	
2 Cell Assembly	C16962-025	20	CA-9-20A	
3 Connector	D16102-006	8	D29302-000	1
4 Connector	D16102-007	1	C16962-009	20
5 Connector	D16102-052	6	D16102-006	8
6 Connector	D16102-053	1	D16102-007	1
7 Connector	D16102-083	1	D16102-052	6
8 Connector	D16102-110	1	D16102-053	1
9 Connector	D28099-003	1	D16102-083	1
10 Connector	D28099-004	1	D16102-110	1
11 Connector	B18006-002	1	D28099-003	1
12 Receptacle Assembly	D16163-003	1	D28099-004	1
13 Ring Rectangular	B24583-001	1	B18006-002	1
14 Screw, Flat Head	B23084-001	4	D16163-003	1
15 Belleville Spring	C16128-001	42	B24583-001	1
16 Screw, Socket Head	C10488-020	42	B23084-001	4
17 Spacer	C29003-003	1	C16128-001	42
18 Cover Assembly	D26671-001	1	C10488-020	42
			C29003-003	1
			D26671-001	1



8301 IMPERIAL DRIVE • P.O. BOX 8233 • WACO, TEXAS 76710
DIVISION OF MARATHON MANUFACTURING COMPANY • HOUSTON, TEXAS 77002