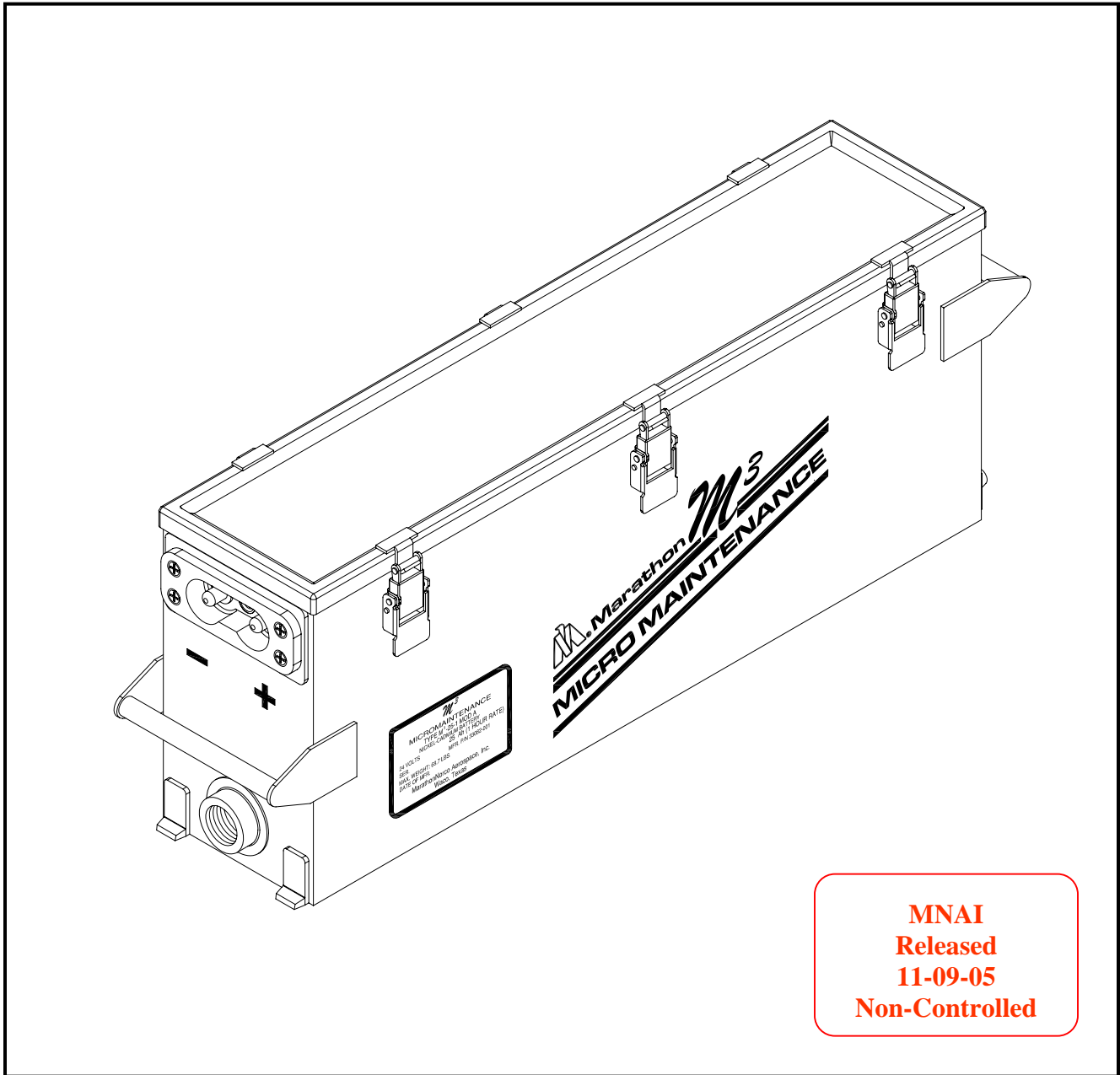




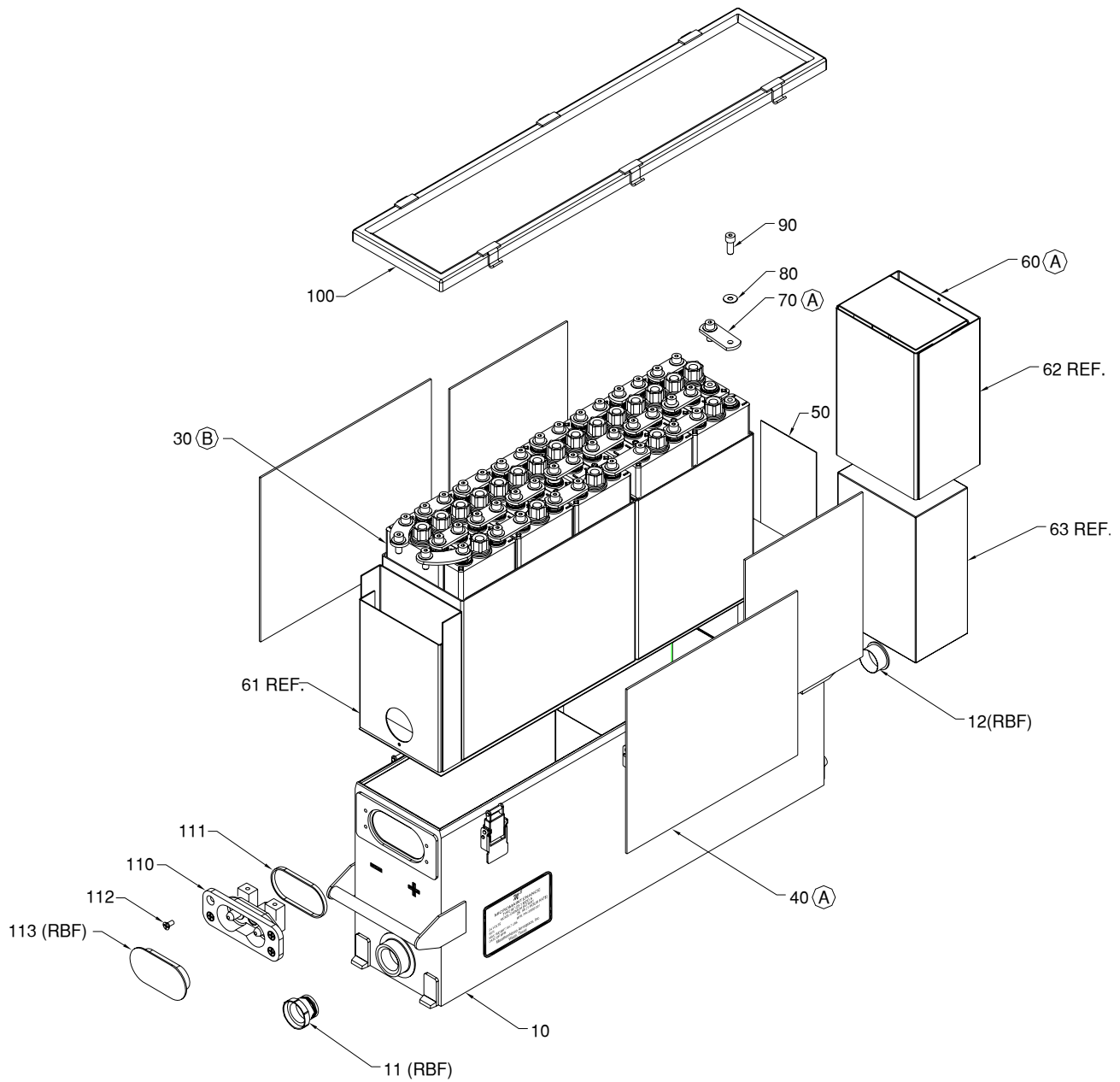
Nickel-Cadmium Aircraft Batteries

Model M³-25-1 MOD A Battery Replacement Parts



MarathonNorco Aerospace

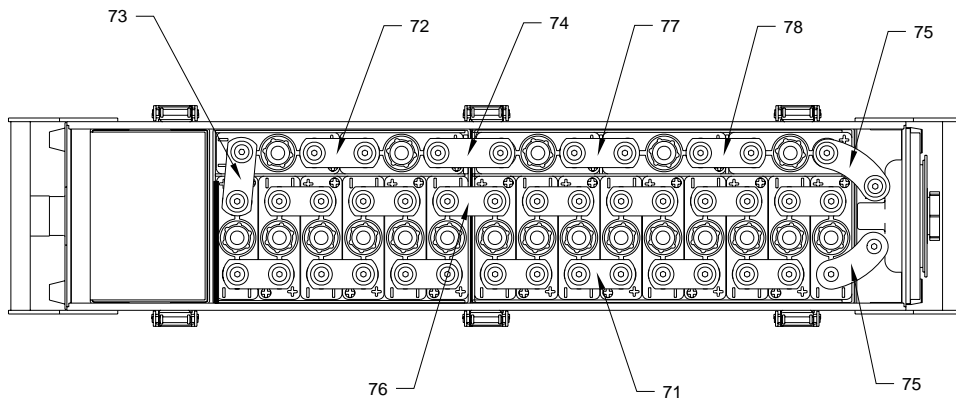
PO Box 8233, Waco, Texas 76714-8233
8301 Imperial Dr., Waco, Texas 76712
Phone (254) 776-0650 / Fax (254) 776-6558



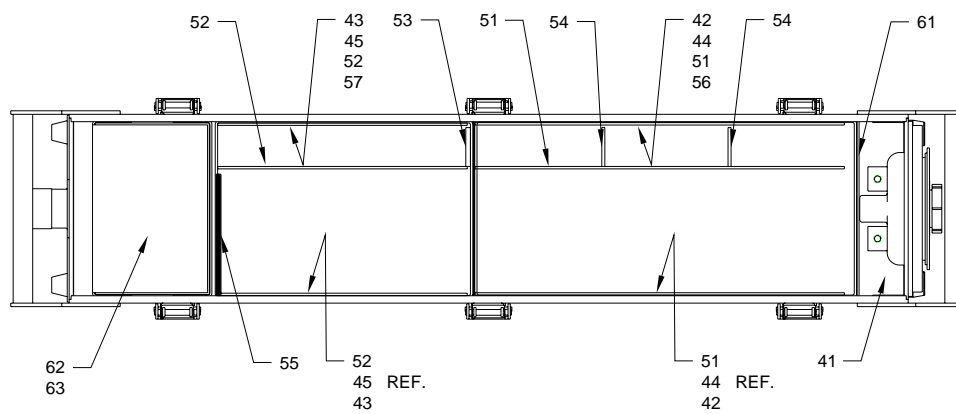
MarathonNorco Aerospace

PO Box 8233, Waco, Texas 76714-8233
 8301 Imperial Dr., Waco, Texas 76712
 Phone (254) 776-0650 / Fax (254) 776-6558

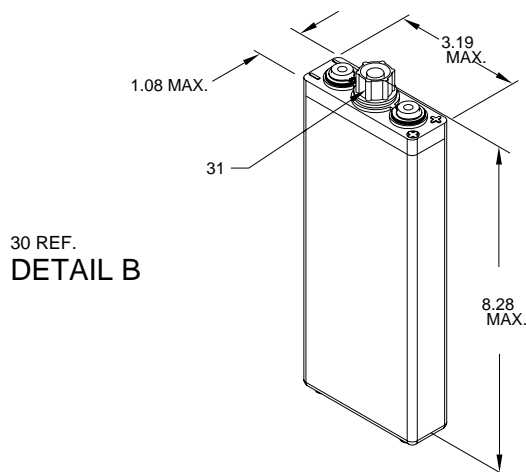
IPL-1030
 MOD A



40-70 REF.
DETAIL A



LINERS, SHIMS AND SPACERS



25M³120

MarathonNorce Aerospace

PO Box 8233, Waco, Texas 76714-8233
8301 Imperial Dr., Waco, Texas 76712
Phone (254) 776-0650 / Fax (254) 776-6558

IPL-1030
MOD A

ILLUSTRATED PARTS LIST

Figure Item	Part Number	Nomenclature	Units Per Assy
1	33082-001	BATTERY, M ³ -25-1 MOD A 20-25M ³ 120	1
10	40596-001	CAN ASSEMBLY, MARKED	1
11	33132-001	CAPLUG, FRONT TUBE (RBF)	1
12	16065-005	CAP, DUST (RBF)	1
30	32688-002	CELL ASSEMBLY, 25M ³ 120	20
31	16934-009	ASSEMBLY, FILLER CAP & VENT	20
-40		LINERS	
41	33098-001	LINER, BOTTOM	1
42	33098-002	LINER, FRONT SIDE	2
43	33098-003	LINER, REAR SIDE	2
44	33099-001	LINER, FRONT BAG	1
45	33100-001	LINER, REAR BAG	1
-50		SHIMS	
51	9988-325	SHIM, FRONT	3
52	9988-324	SHIM, REAR	3
53	9988-105	SHIM	1
54	9988-236	SHIM	2
55	9988-085	SHIM	5
56	9988-326	SHIM	1
57	9988-327	SHIM	1
-60		SPACERS	
61	33101-002	ASSY, SPACER FRONT	1
62	33106-001	ASSY, SPACER REAR	1
63	33131-001	FILLER, BLOCK	1
-70		CONNECTORS	
71	16102-052	CONNECTOR	13
72	16102-053	CONNECTOR	1
73	16102-057	CONNECTOR	1
74	16102-015	CONNECTOR	1
75	18006-001	CONNECTOR, CURVE	2
76	16102-124	CONNECTOR	1
77	16102-006	CONNECTOR	1
78	16102-018	CONNECTOR	1
80	16128-001	BELLEVILLE WASHER	42
90	10488-020	SCREW, SOCKET HD. CAP #10-32	42
100	40597-001	ASSEMBLY, COVER MARKED	1
110	16163-007	ASSEMBLY RECEPTACLE	1
111	24583-001	RING, RECTANGULAR	1
112	23084-001	SCREW, FL.HD. SEMS 8-32 x 3/8	4
113	26916-006	COVER, INSULATOR M ³ (RBF)	1

RBF - REMOVE BEFORE FLIGHT (RBF)



PO Box 8233, Waco, Texas 76714-8233
8301 Imperial Dr., Waco, Texas 76712
Phone (254) 776-0650 / Fax (254) 776-6558

IPL-1030
MOD A