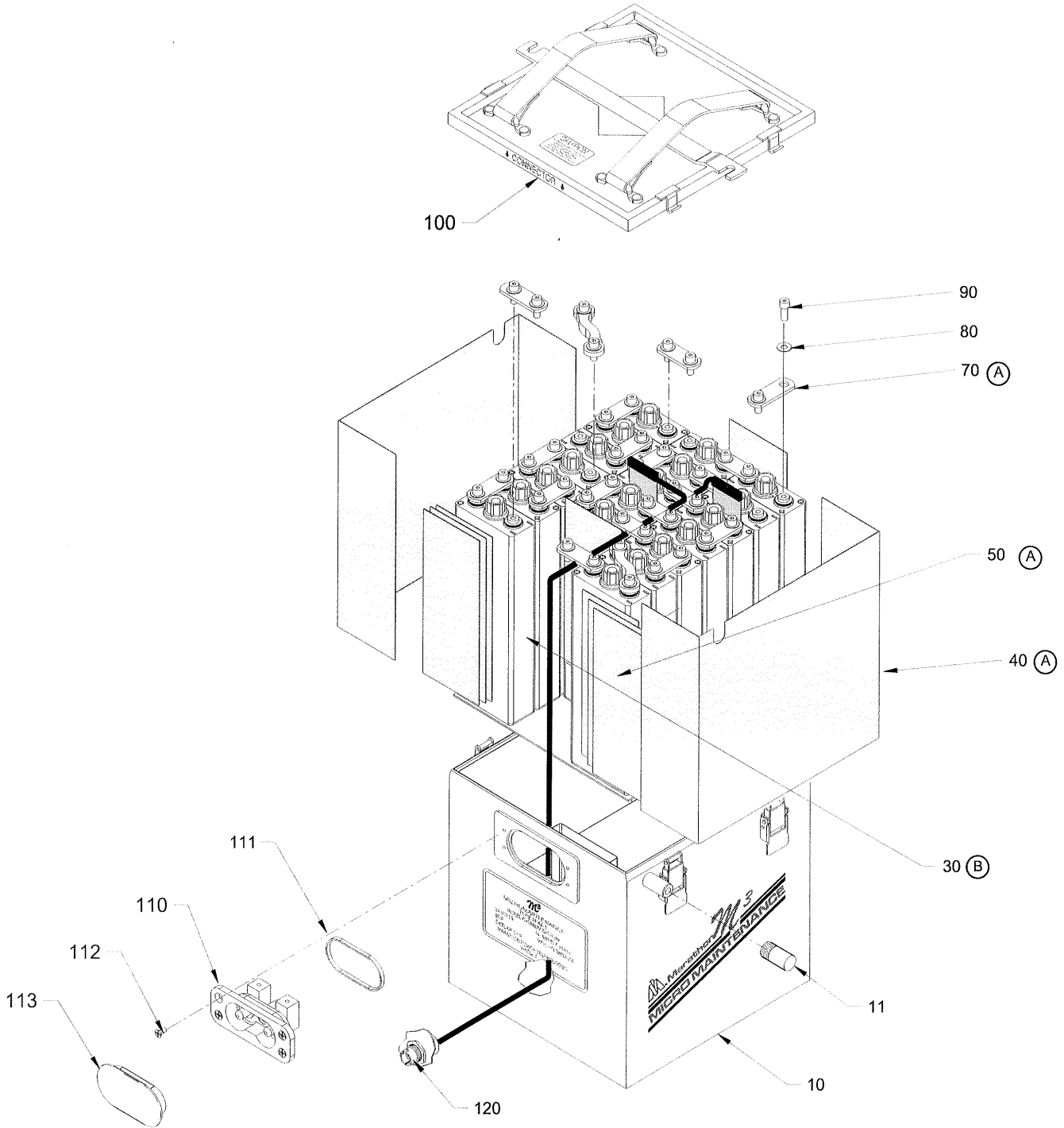
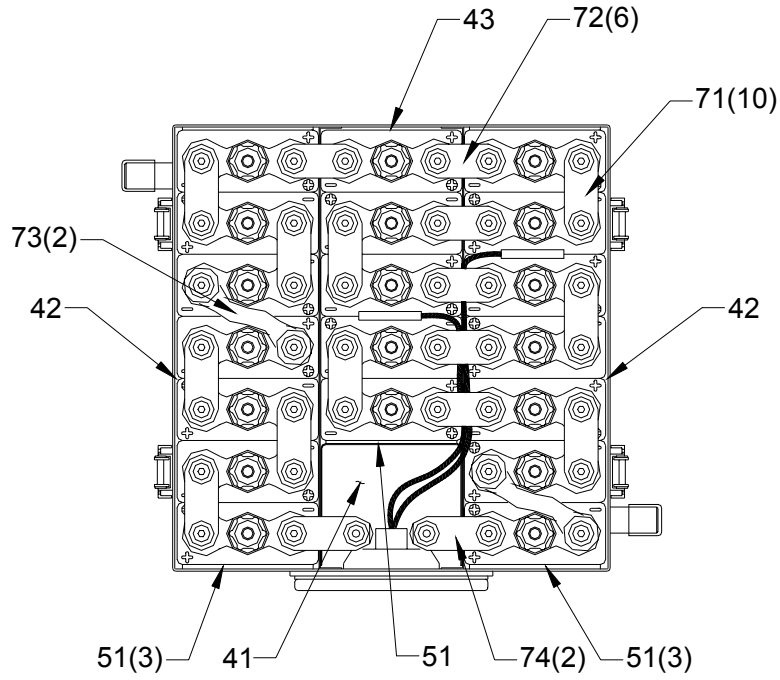


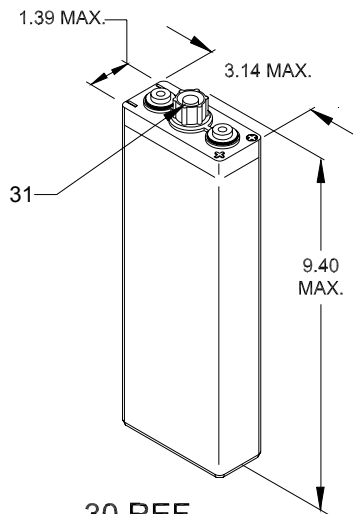
REV	DESCRIPTION	DATE	APPROVED
-----	-------------	------	----------



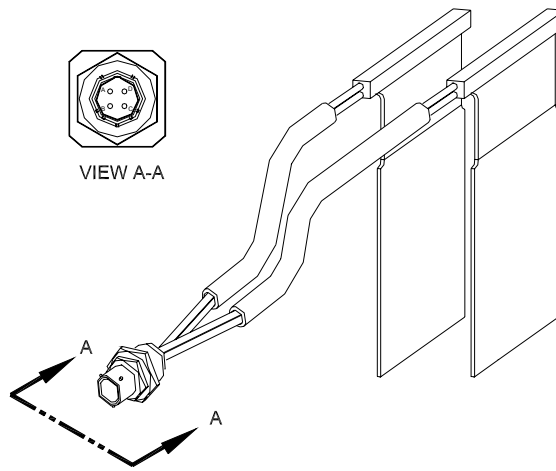
APPROVALS		DATE	Marathon Power Technologies			
ORIGINATOR		11/16/01	WACO, TEXAS			
CHECKED		11/16/01	Illustrated Parts List			
APPROVED		11/16/01	M ³ -44-1 - P/N 32663-001			
SIZE	FSCM	DWG NO	IPL-1011		REV	-
A	74025	PMA - YES		SHEET 1 OF 3		



40-70 REF.
DETAIL A



30 REF.
DETAIL B



120 REF.
DETAIL C

ILLUSTRATED PARTS LIST

Figure Item	Part Number	Nomenclature	Units Per Assy
1	32663-001	BATTERY,M ³ -44-1 19-44M ³ 120 NI-CD [32664-002]	
10	40522-002	CAN ASSEMBLY, MARKED	1
11	16065-012	DUST CAP – VENT TUBE (RBF)	1
30	32637-001	CELL ASSEMBLY,44M ³ 120 [32638-001]	19
31	16934-009	FILLER CAP ASSEMBLY, V-BAFFLE	19
-40		LINERS	
41	9988-249	LINER, BOTTOM	1
42	9988-239	LINER, MIDDLE	1
43	9988-248	LINER, SIDE	2
-50		SHIMS	
51	9988-209	SHIM, 8.63x3.06x.031	AR
-60		BARRIERS	0
-70		CONNECTORS	
71	16102-131	CONNECTOR	10
72	16102-187	CONNECTOR	6
73	16167-006	CONNECTOR	2
74	16102-172	CONNECTOR	2
80	16128-034	BELLEVILLE WASHER	40
90	10488-011	SCREW, SOCKET HD. CAP ¼-28 x 9/16	40
100	40325-003	COVER ASSEMBLY, MARKED	1
110	16163-023	RECEPTACLE ASSEMBLY	1
111	24583-001	RING, RECTANGULAR	1
112	23084-001	SCREW, FLAT HD. SEMS. 8-32x3/8	4
113	26916-004	DUST CAP – MAIN ELECTRICAL (RBF)	1
120	29783-003	TEMPERATURE PROBE ASSEMBLY	1

RBF – REMOVE BEFORE FLIGHT