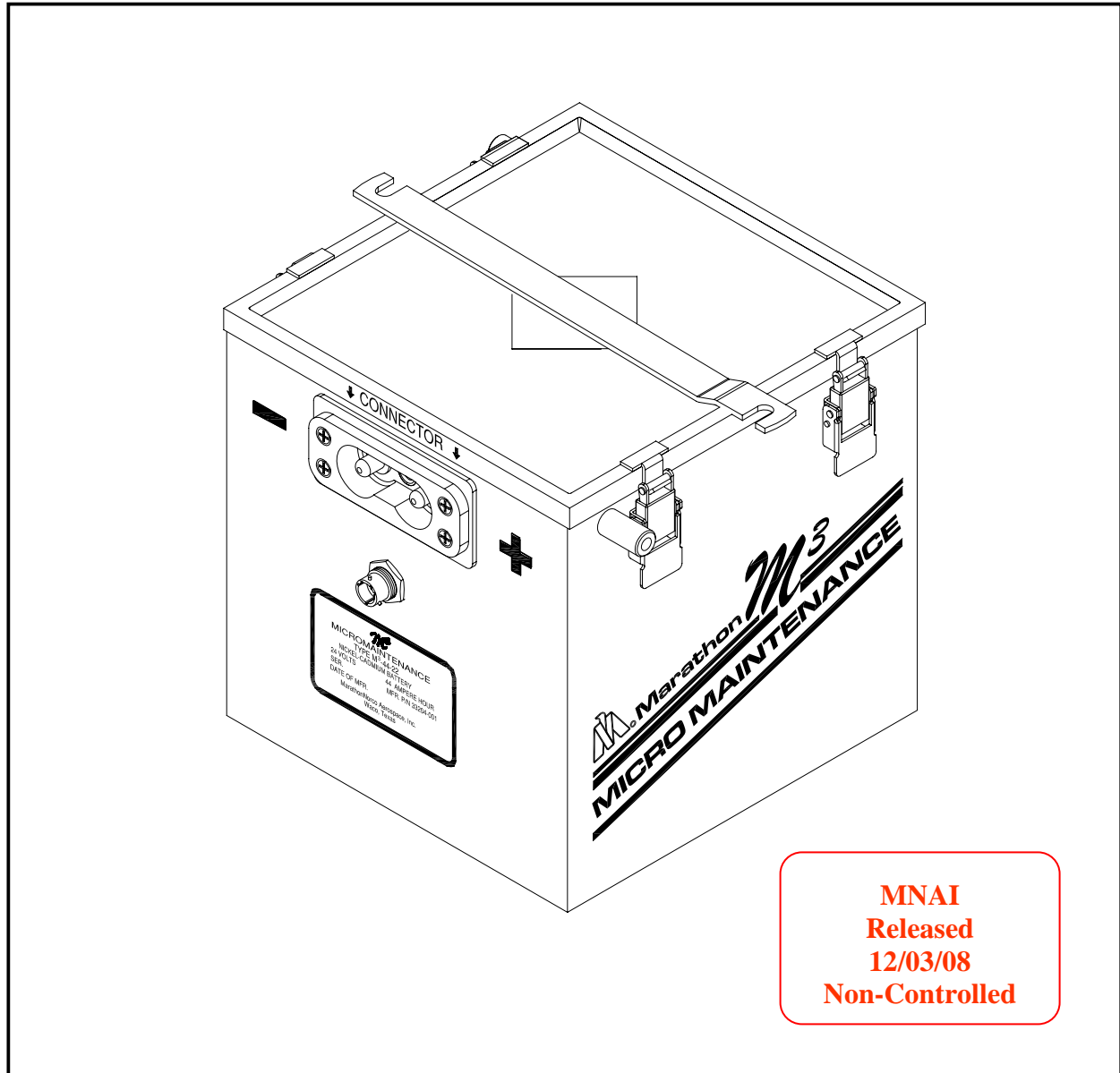




Nickel-Cadmium Aircraft Batteries

Model M³-44-22 Battery Replacement Parts

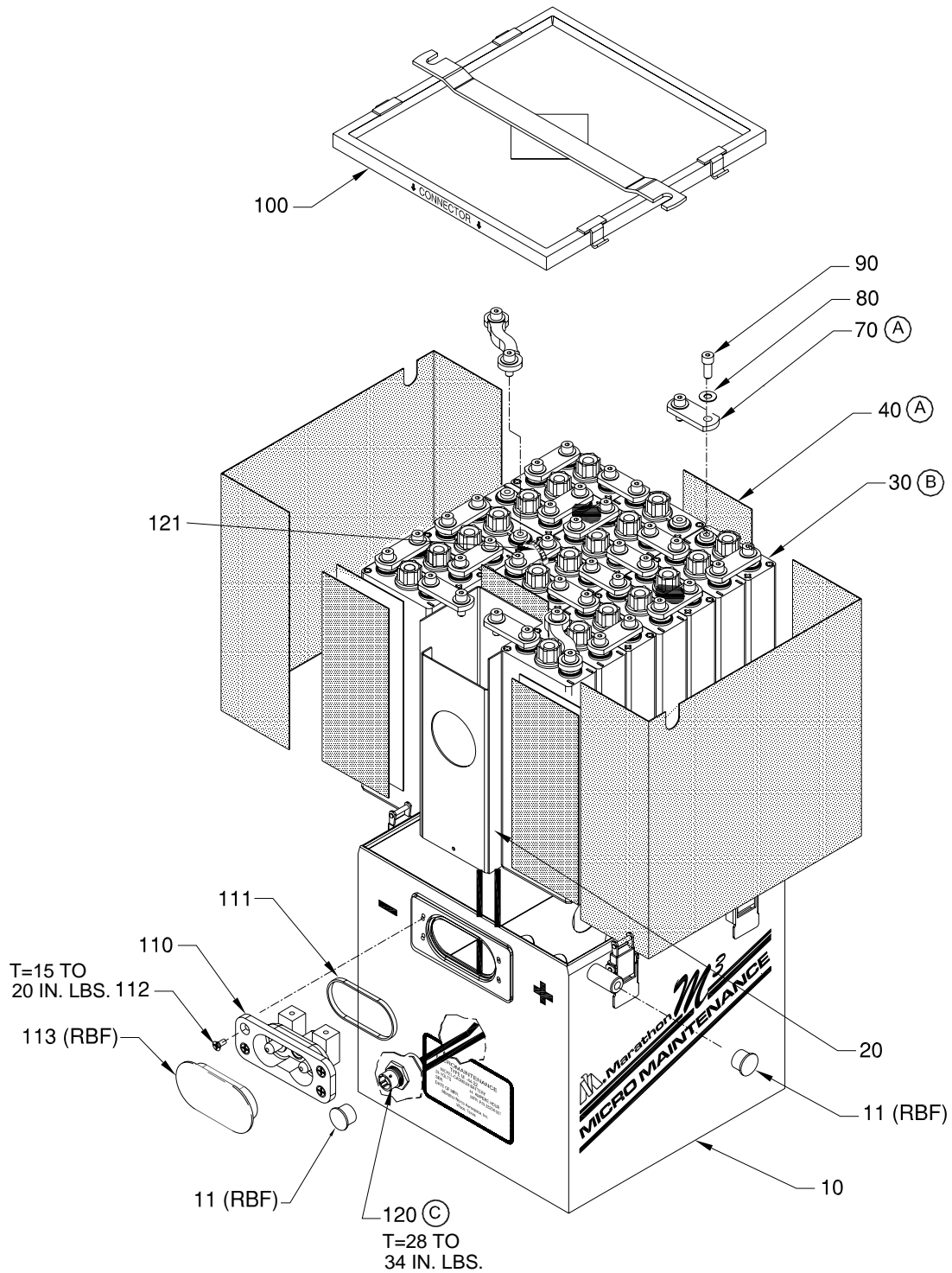


**MNAI
Released
12/03/08
Non-Controlled**

MarathonNorco Aerospace

PO Box 8233, Waco, Texas 76714-8233
8301 Imperial Dr., Waco, Texas 76712
Phone (254) 776-0650 / Fax (254) 776-6558

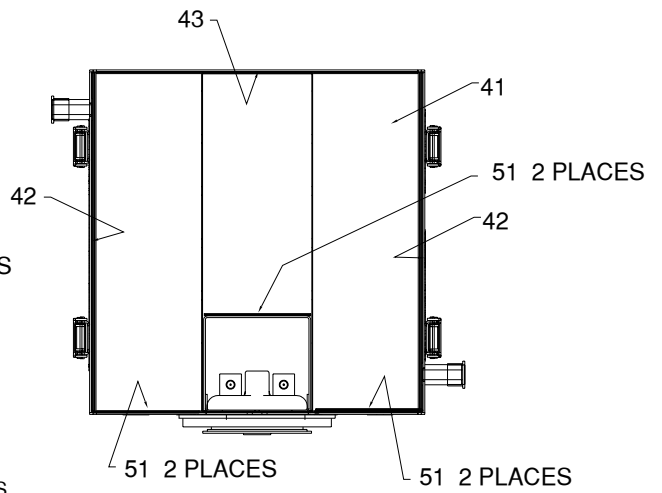
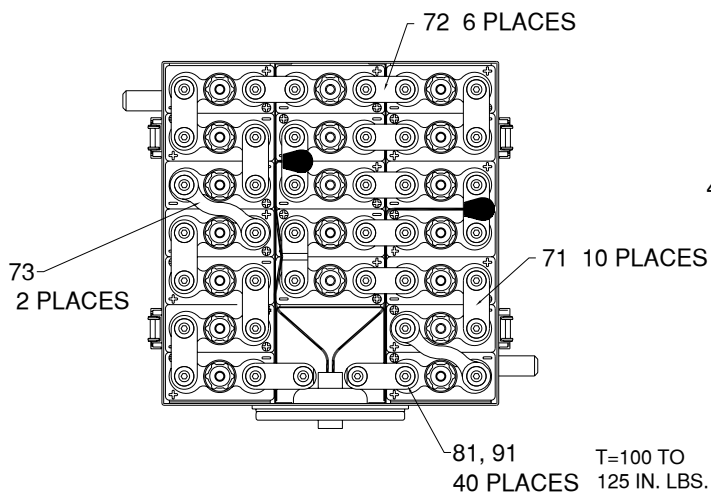
IPL-1049



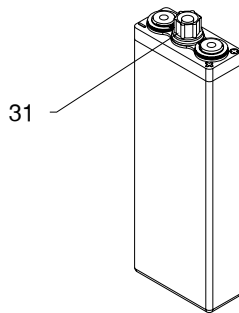
T=TORQUE (IN. LBS.)
EXPLODED VIEW

MarathonNorco Aerospace
 PO Box 8233, Waco, Texas 76714-8233
 8301 Imperial Dr., Waco, Texas 76712
 Phone (254) 776-0650 / Fax (254) 776-6558
 Page 2

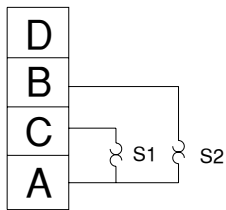
IPL-1049



40-90 REF.
T=TORQUE (IN. LBS.)
DETAIL A



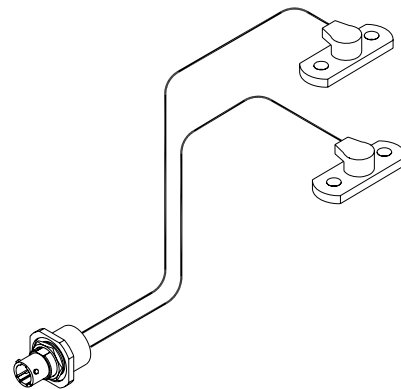
DETAIL B
30 REF.



MS3114P8-4P

SCHEMATIC

S1 AND S2
NORMALLY OPEN ON RISE
CLOSES 160°±5°F
RE-OPENS 145°±5°F



120 REF.
T=TORQUE (IN. LBS.)

DETAIL C

MarathonNorco Aerospace

PO Box 8233, Waco, Texas 76714-8233
8301 Imperial Dr., Waco, Texas 76712
Phone (254) 776-0650 / Fax (254) 776-6558

IPL-1049

ILLUSTRATED PARTS LIST

Figure item	Part Number	Nomenclature	Units Per Assy
-1	33204-001	BATTERY, M ³ -44-22 19-44M ³ 120 NI-CD	1
-10	40616-002	CAN ASSEMBLY, MARKED	1
-11	16065-012	DUST CAP (RBF)	3
-20	32852-002	SPACER	1
-30	32637-001	CELL ASSEMBLY,44M ³ 120	19
31	16934-009	ASSEMBLY, FILLER CAP & VENT	19
-40		LINERS	
41	32194-003	LINER, BOTTOM	1
42	32194-002	LINER, SIDE	2
43	32194-004	LINER, CENTER	1
-50		SHIMS	
51	9988-209	SHIM	6
-60		BARRIERS	
-70		CONNECTORS	
71	16102-135	CONNECTOR	10
72	16102-160	CONNECTOR	6
73	16167-006	CONNECTOR,S	2
-80		WASHERS	
81	16128-034	BELLEVILLE WASHER	40
-90		SCREWS & NUTS	
91	10488-011	SCREW, SOCKET HD. CAP	40
-100	40273-002	ASSEMBLY, COVER MARKED	1
-110	16163-023	ASSEMBLY RECEPTACLE	1
-111	24583-001	RING, RECTANGULAR	1
-112	23084-001	SCREW, FL.HD. SEMS	4
-113	26916-006	COVER, INSULATOR M ³ (RBF)	1
-120	32899-001	ASSEMBLY, HARNESS	1
-121	29247-001	CABLE TIE NYLON	1

RBF - REMOVE BEFORE FLIGHT



PO Box 8233, Waco, Texas 76714-8233
 8301 Imperial Dr., Waco, Texas 76712
 Phone (254) 776-0650 / Fax (254) 776-6558

IPL-1049