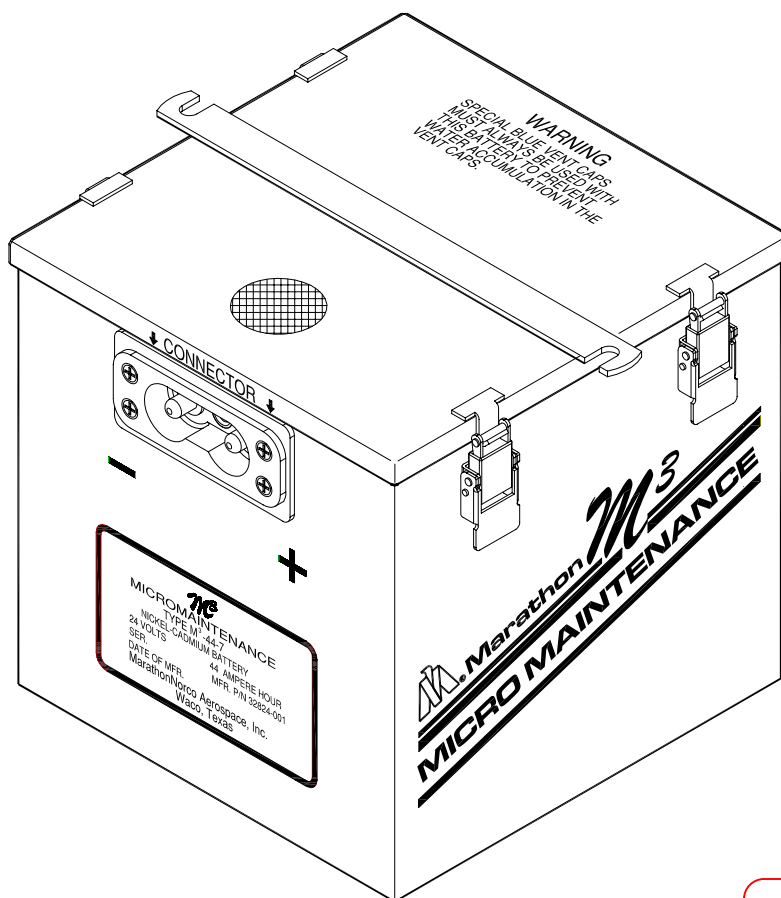




Nickel-Cadmium Aircraft Batteries

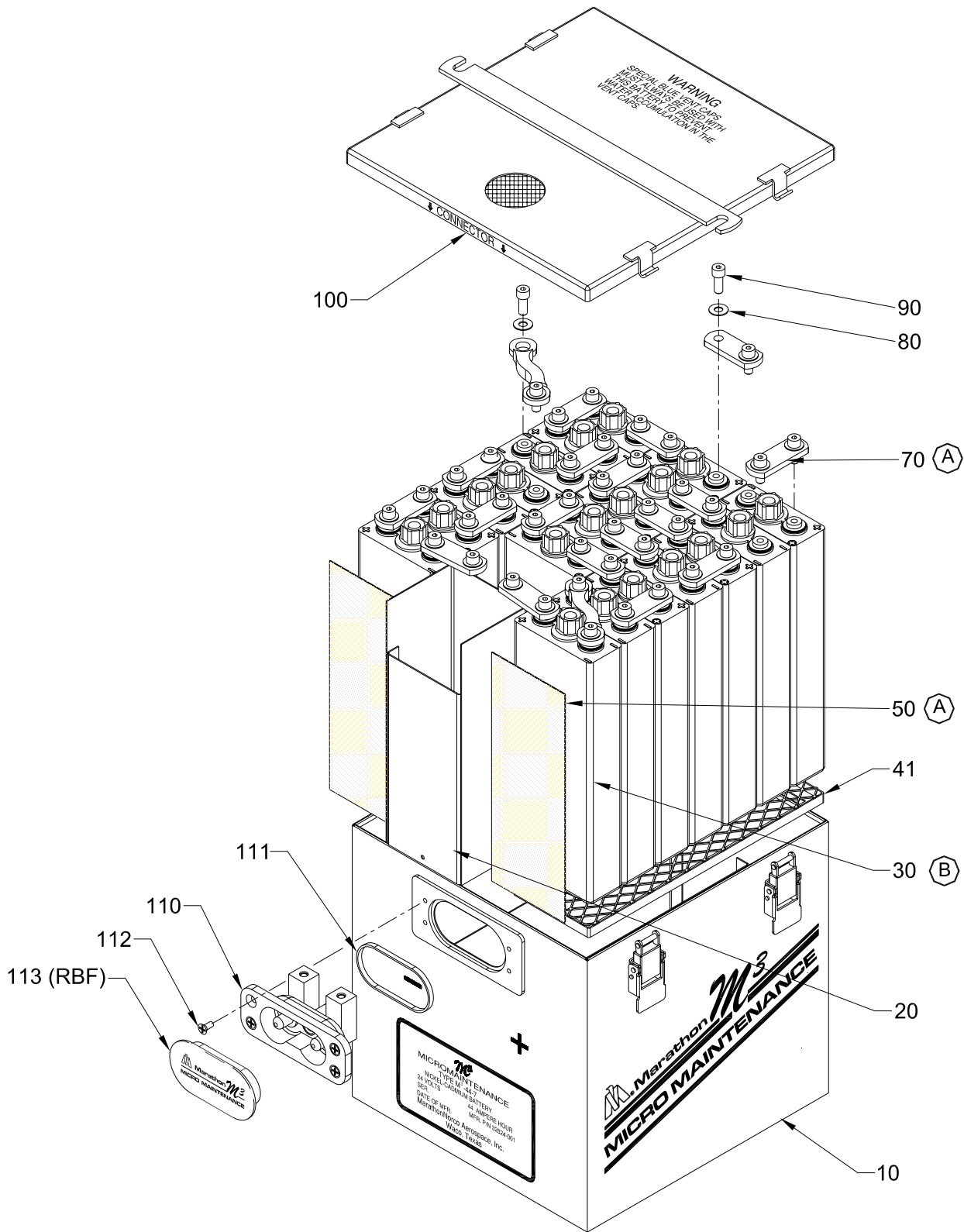
Model M³-44-7 Battery Replacement Parts



**MNAI
Released
Non-Controlled**

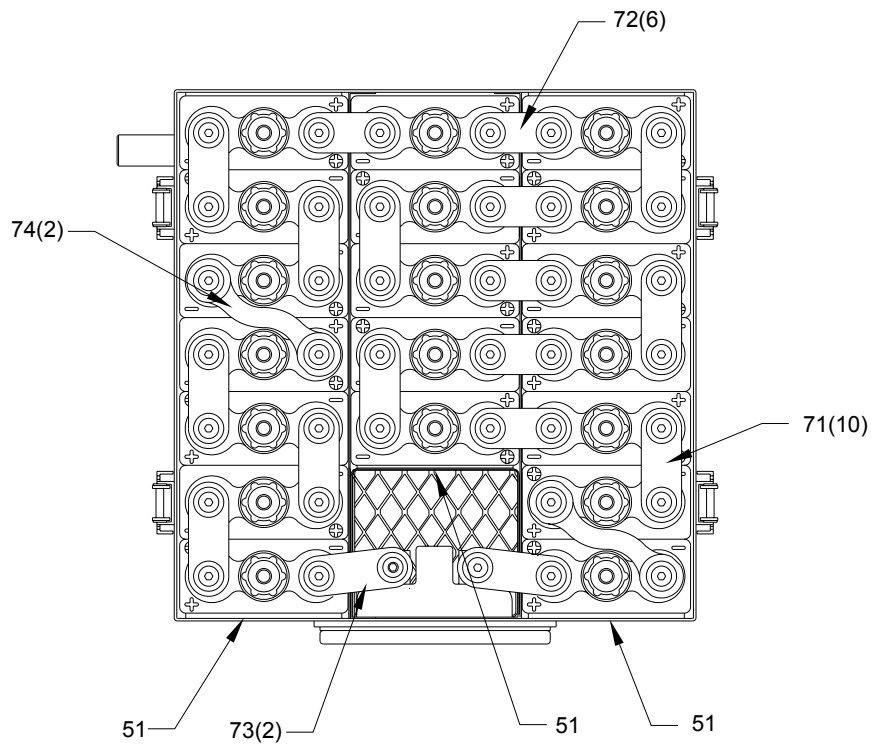
MarathonNorco Aerospace

PO Box 8233, Waco, Texas 76714-8233
8301 Imperial Dr., Waco, Texas 76712
Phone (254) 776-0650 / Fax (254) 776-6558

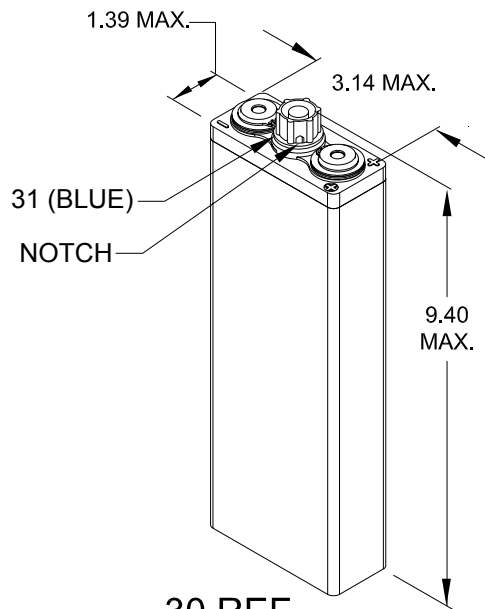


MarathonNorco Aerospace

PO Box 8233, Waco, Texas 76714-8233
 8301 Imperial Dr., Waco, Texas 76712
 Phone (254) 776-0650 / Fax (254) 776-6558



40-70 REF.
DETAIL A



30 REF.
DETAIL B

MarathonNorco Aerospace

PO Box 8233, Waco, Texas 76714-8233
8301 Imperial Dr., Waco, Texas 76712
Phone (254) 776-0650 / Fax (254) 776-6558

IPL-1031

ILLUSTRATED PARTS LIST

Figure item	Part Number	Nomenclature	Units Per Assy
1	32824-001	BATTERY, M ³ -44-7 19-44M ³ 120 (32825-001)	1
10	40543-001	CAN, MARKED	1
20	32826-001	ASSEMBLY, SPACER	1
30	32637-002	ASSEMBLY, CELL 44M ³ 120 (32638-002)	19
31	16934-012	FILLER CAP ASSY & VENT BLUE W/NOTCH	19
-40		LINERS	
41	29968-005	PLENUM	3
-50		SHIMS	
51	9988-061	SHIM, 3.125 x 8.125 x .031	3
-70		CONNECTORS	
71	16102-135	CONNECTOR	10
72	16102-160	CONNECTOR	6
73	16102-147	CONNECTOR	2
74	16167-006	CONNECTOR	2
80	16128-034	BELLEVILLE WASHER	40
90	10488-011	SCREW, SOCKET HD. CAP 1/4-28 x 9/16	40
100	40544-001	COVER, MARKED	1
110	16163-029	ASSEMBLY RECEPTACLE	1
111	24583-001	RING, RECTANGULAR	1
112	23084-001	SCREW, FL.HD. SEMS 8-32 x 3/8	4
113	26916-006	COVER, INSULATOR M ³ (RBF)	1

RBF - REMOVE BEFORE FLIGHT



PO Box 8233, Waco, Texas 76714-8233
8301 Imperial Dr., Waco, Texas 76712
Phone (254) 776-0650 / Fax (254) 776-6558

IPL-1031