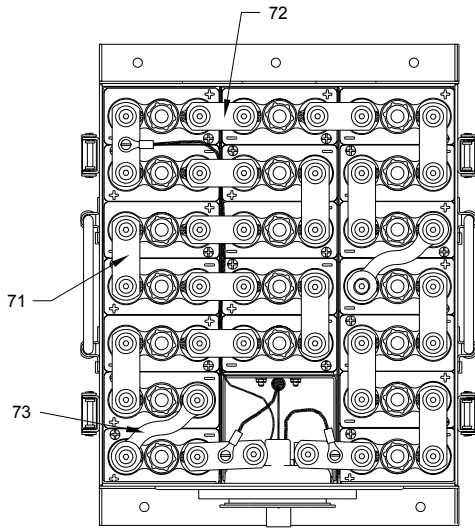


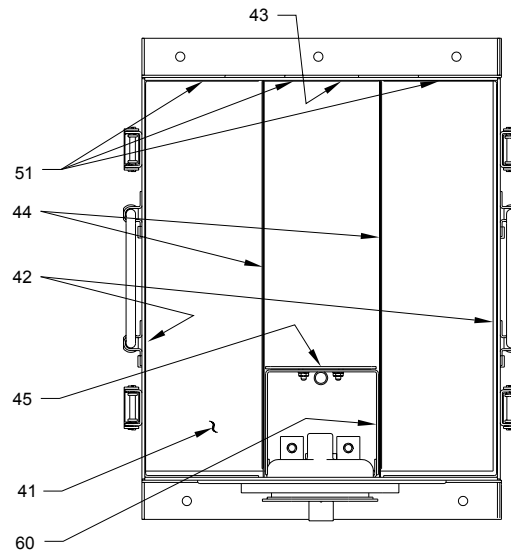
T=TORQUE (IN. LBS.)  
EXPLODED VIEW

**MarathonNorco Aerospace**

PO Box 8233, Waco, Texas 76714-8233  
8301 Imperial Dr., Waco, Texas 76712  
Phone (254) 776-0650 / Fax (254) 776-6558

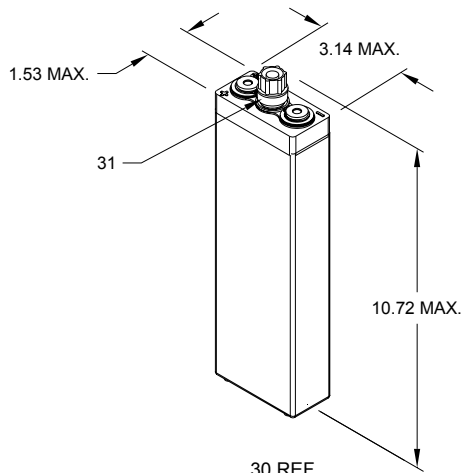


BATTERY POLARITY LAYOUT

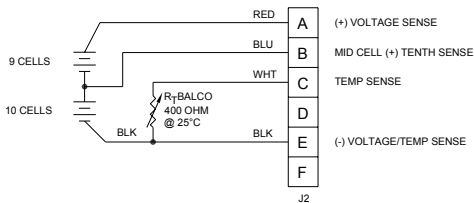


LINERS, SHIMS & SPACER

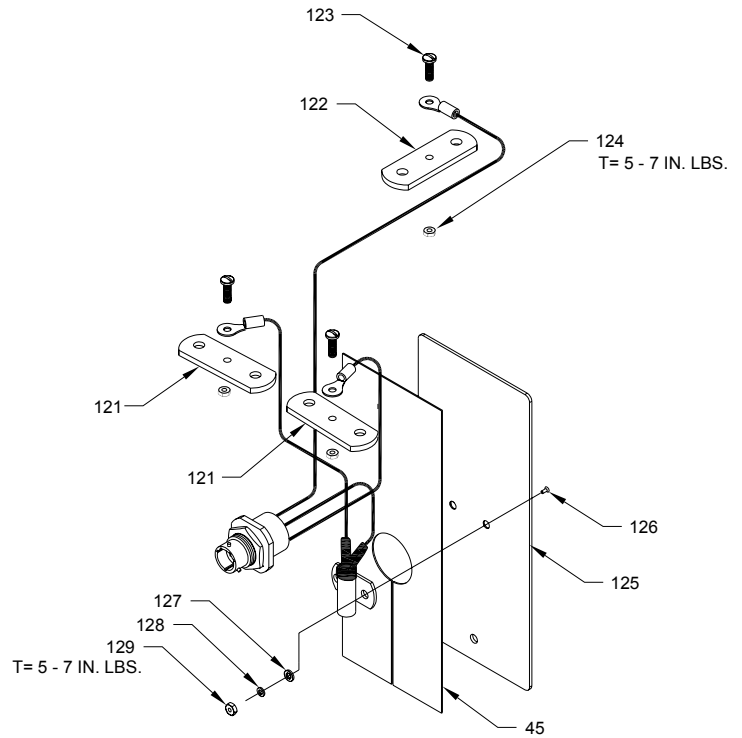
DETAIL A  
40-70 REF.



30 REF.  
DETAIL B



SCHEMATIC



120 REF  
T=TORQUE (IN. LBS.)  
DETAIL C

## ILLUSTRATED PARTS LIST

| Figure item | Part Number    | Nomenclature  | Units Per Assy |
|-------------|----------------|---|----------------|
| 1           | 33033-001      | BATTERY, M <sup>3</sup> -54-2 19-54M <sup>3</sup> 120 (33034-001) | 1              |
| 10          | 40594-001      | CAN ASSY, MARKED  | 1              |
| 11          | 15766-007      | DUST CAP <b>(RBF)</b>   | 1              |
| 30          | 32966-001      | CELL ASSEMBLY, 54M <sup>3</sup> 120 (32967-001)                   | 19             |
| 31          | 30927-001      | FILLER CAP ASSEMBLY & VENT  | 19             |
| -40         |                | LINERS  |                |
| 41          | 32695-001      | LINER, BOTTOM   | 1              |
| 42          | 32695-003      | LINER, SIDE   | 2              |
| 43          | 32695-002      | LINER, END CENTER   | 1              |
| 44          | 32695-005      | LINER, CENTER SIDE  | 2              |
| 45          | 32695-004      | LINER, CENTER FRONT   | 1              |
| -50         |                | SHIMS   |                |
| 51          | 9988-320       | SHIM, END 3 1/8 x 9 1/8 x .031                                    | 3              |
| -60         | 32910-001      | ASSEMBLY, SPACER  | 1              |
| -70         |                | CONNECTORS  |                |
| 71          | 16102-217      | CONNECTOR   | 9              |
| 72          | 10371-005      | CONNECTOR   | 6              |
| 73          | 16167-005      | CONNECTOR   | 2              |
| 80          | 16128-034      | BELLEVILLE WASHER   | 40             |
| 90          | 10488-011      | SCREW, SOCKET HD. CAP 1/4-28 x 9/16                               | 40             |
| 100         | 32646-002      | ASSEMBLY, COVER LINED   | 1              |
| 110         | 16163-026      | ASSEMBLY RECEPTACLE   | 1              |
| 112         | 23084-001      | SCREW, FL.HD. SEMS 8-32 x 3/8                                     | 4              |
| 113         | 26916-006      | COVER, INSULATOR M <sup>3</sup> <b>(RBF)</b>                      | 1              |
| 120         | 33079-001      | ASSEMBLY, HARNESS   | 1              |
| 121         | * 28847-060    | CONNECTOR   | 2              |
| 122         | * 28847-061    | CONNECTOR   | 1              |
| 123         | * 9954-001     | SCREW 6-32 x .375 LG.   | 3              |
| 124         | * 15013-009    | NUT, ESNA   | 3              |
| 125         | 32706-001      | PLATE THERMOSTAT  | 1              |
| 126         | 296-2349200100 | SCREW FLAT HD 6-32 x 5/16 LG                                      | 2              |
| 127         | 18100-018      | WASHER FLAT #6  | 2              |
| 128         | 6560-002       | WASHER LOCK #6  | 2              |
| 129         | 15111-035      | NUT, HEX 6-32   | 2              |

**RBF - REMOVE BEFORE FLIGHT**

**\* ITEMS 121 THRU 124 ARE SUPPLIED WITH HARNESS ASSEMBLY 33079-001**



PO Box 8233, Waco, Texas 76714-8233  
8301 Imperial Dr., Waco, Texas 76712  
Phone (254) 776-0650 / Fax (254) 776-6558

IPL-1029