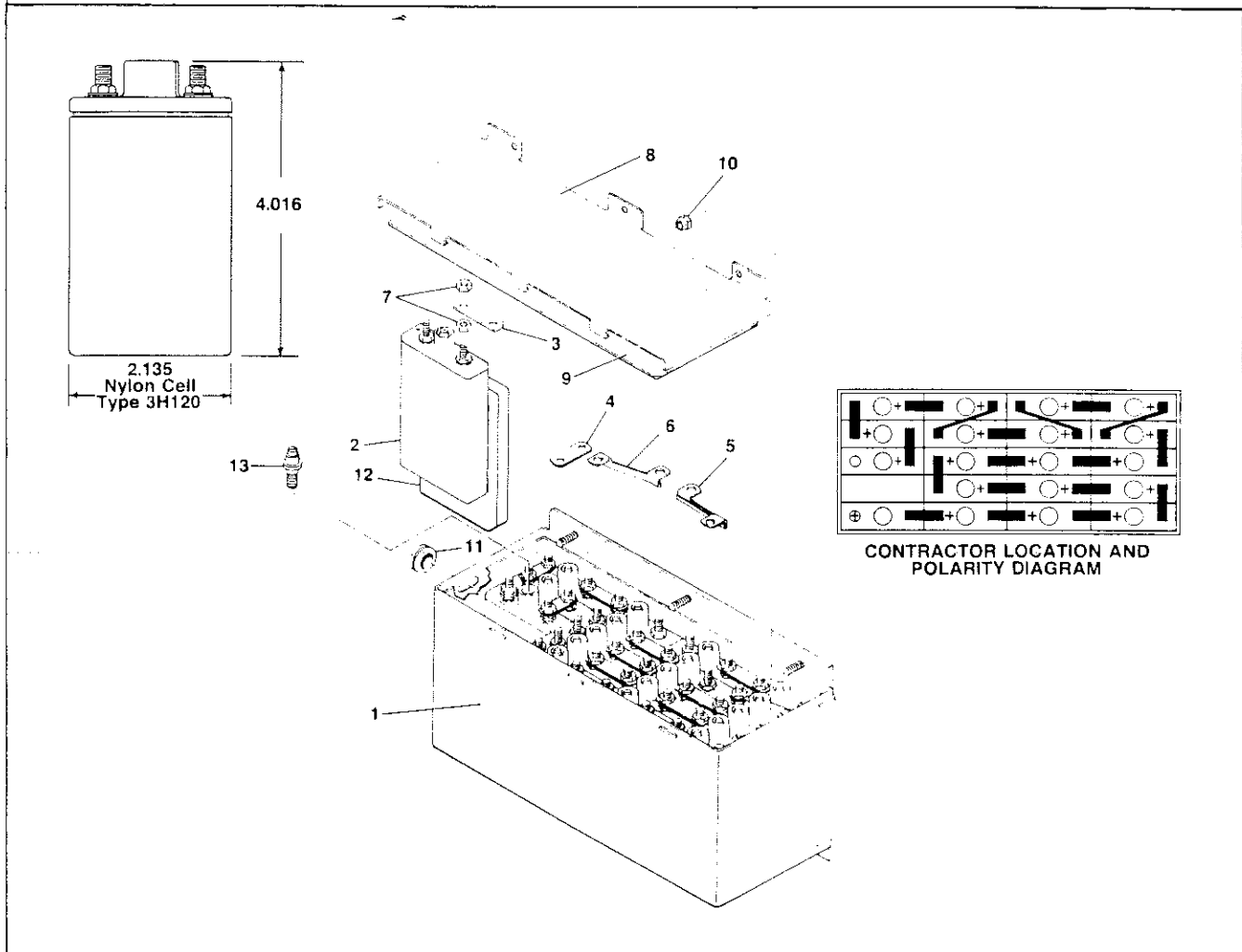


# Marathon Batteries

## Sintered-Plate Nickel-Cadmium Aircraft Batteries

Parts List

MA-300H  
CA-300H



### Model MA-300H and CA-300H Battery Replacement Parts

Item	Description	MA-300H and CA-300H Part Number	Quantity	Item	Description	MA-300H and CA-300H Part Number	Quantity
1	Battery Box	18235	1	8	Cover, Battery Box	18234	1
2	Cell Assembly	3H120	19	9	Insulator, Plate	18236	1
3	Connector	9577-34	10	10	Nut, Stop	15013-10	3
4	Connector	9577-33	5	11	Grommet, Rubber	15878-6	1
5	Link, Battery Term.	18233-2	2	12	Dummy Cell	18534	1
6	Link, Battery Term.	18233-1	76	13	Vent Plug	16463-18	19
7	Nut, Hex	15111-58					



8301 IMPERIAL DRIVE • P. O. BOX 8233 • WACO, TEXAS 76710  
DIVISION OF MARATHON MANUFACTURING COMPANY • HOUSTON, TEXAS 77002