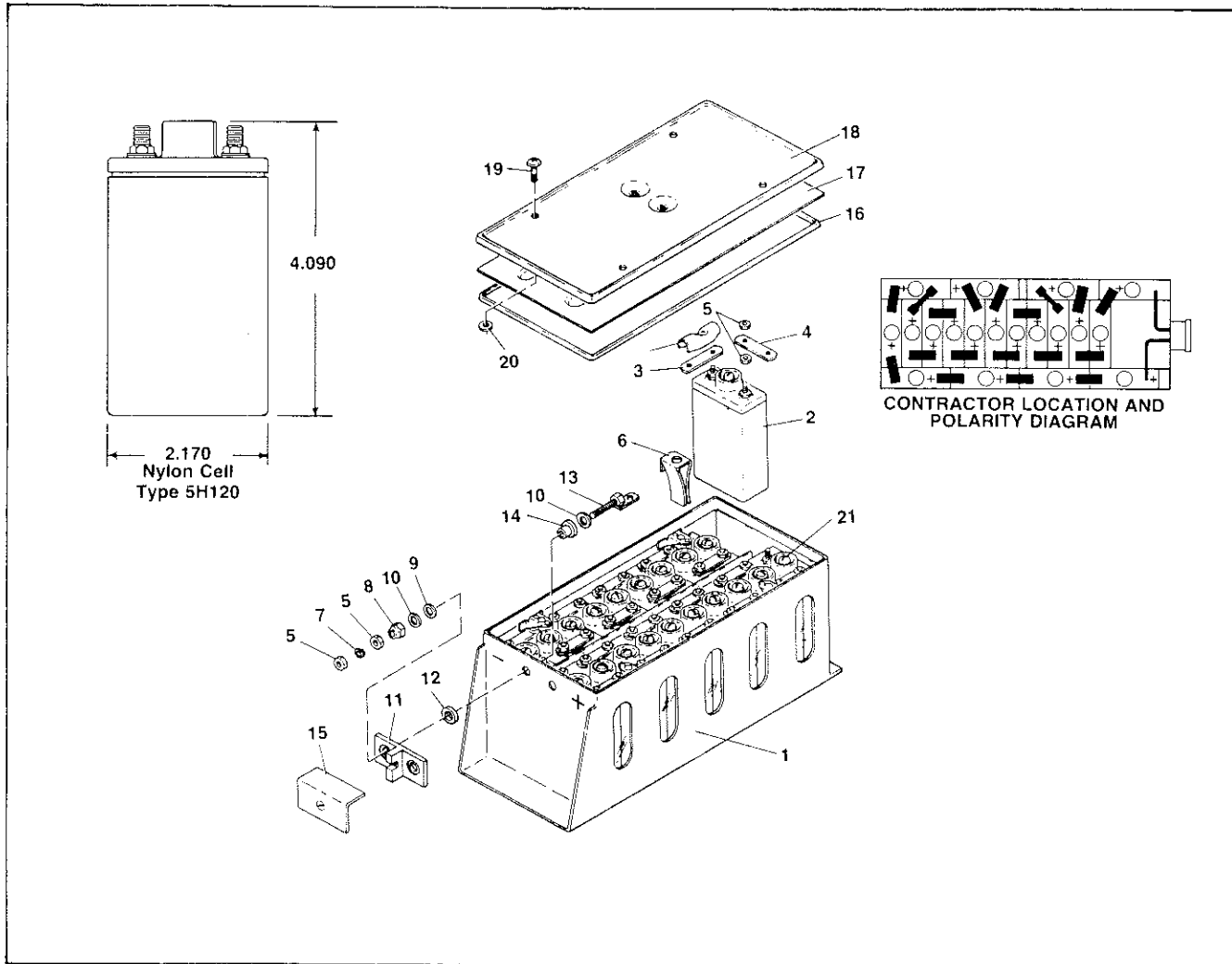


Marathon Batteries

Sintered-Plate Nickel-Cadmium Aircraft Batteries

Parts List

MA-500H



Model MA-500H Battery Replacement Parts

Item	Description	MA-500H Part Numbers	Quantity	Item	Description	MA-500H Part Numbers	Quantity
1	Can Assembly	23728-1	1	12	Bushing, Female	18952-1	2
2	Cell Assembly	5H120	20	13	Connector Assembly, Terminal	18954	2
3	Connector	9577-34	18	14	Bushing, Male	18952-2	2
4	Connector	9577-37	1	15	Barrier, Hood Assembly	24355	1
5	Nut, Hex	15111-13	84	16	Cover, Gasket	23671-1	1
6	Insulator	24550	4	17	Lining, Cover	23672-1	1
7	Washer, Lock	6560-21	2	18	Cover	23731-1	1
8	Nut, Stop	15013-4	2	19	Screw, Captive	22580-3	4
9	Washer, Flat	18100-5	2	20	Gasket	10468-17	4
10	Gasket, Rubber	10468-6	4	21	Vent Plug	15208-1	20
11	Barrier	24306	1				



8301 IMPERIAL DRIVE • P. O. BOX 6233 • WACO, TEXAS 76710
DIVISION OF MARATHON MANUFACTURING COMPANY • HOUSTON, TEXAS 77002