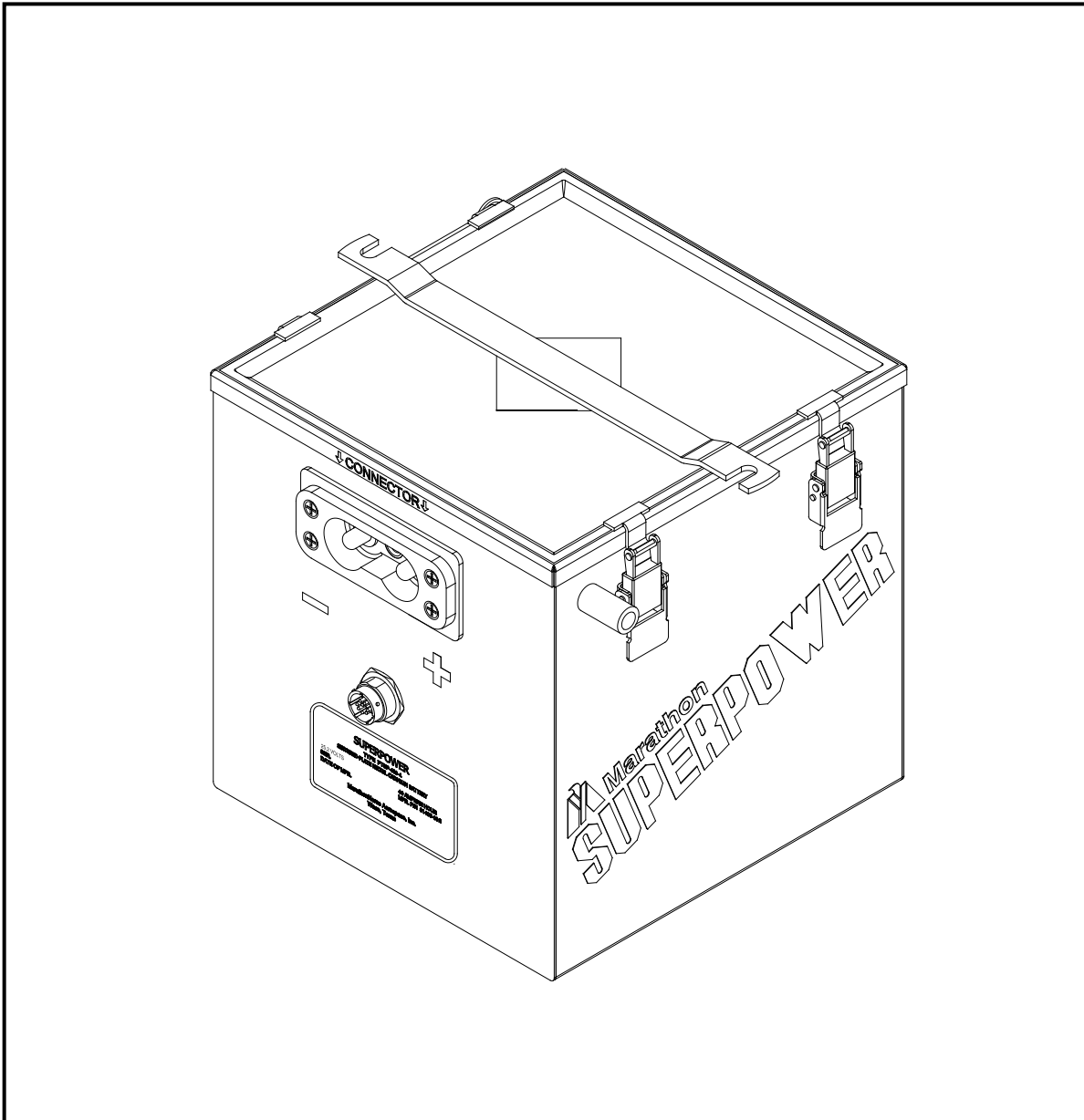




## Nickel-Cadmium Aircraft Batteries

Model PTSP-400-1 (A31406-002) Battery Replacement Parts

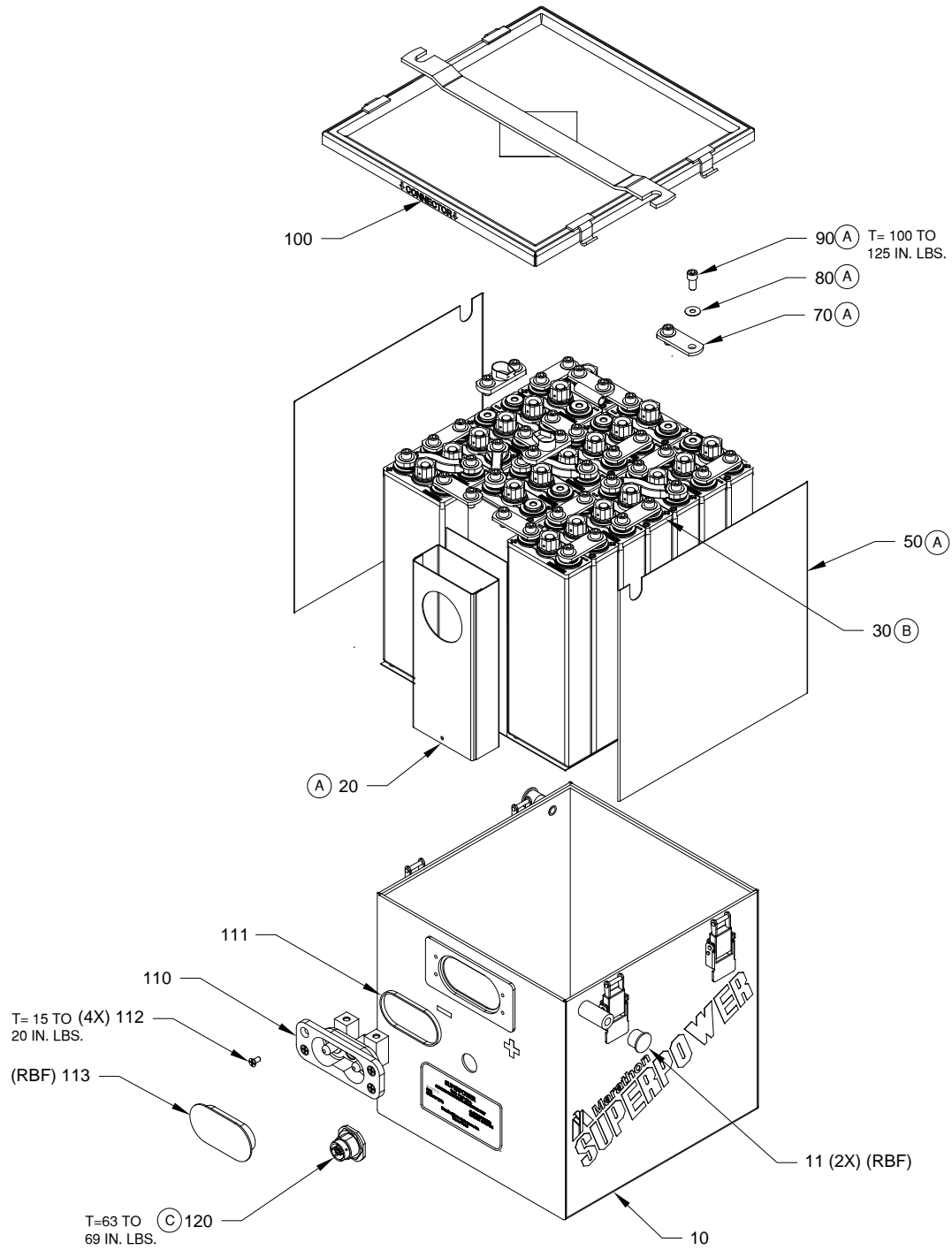


**MarathonNorco Aerospace**

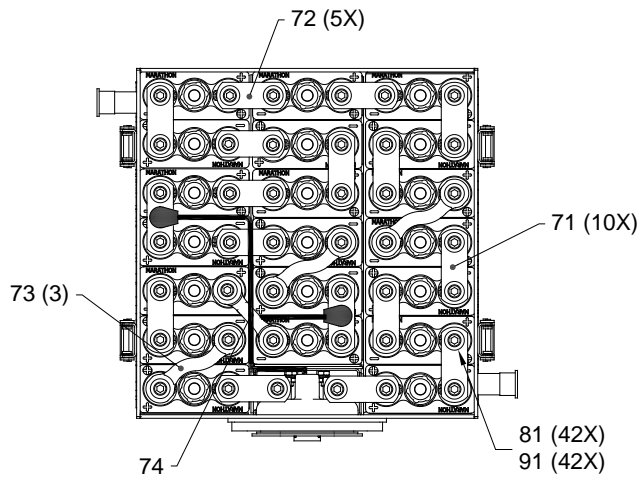
PO Box 8233, Waco, Texas 76714-8233  
8301 Imperial Dr., Waco, Texas 76712  
Phone (254) 776-0650 / Fax (254) 776-6558

Page 1

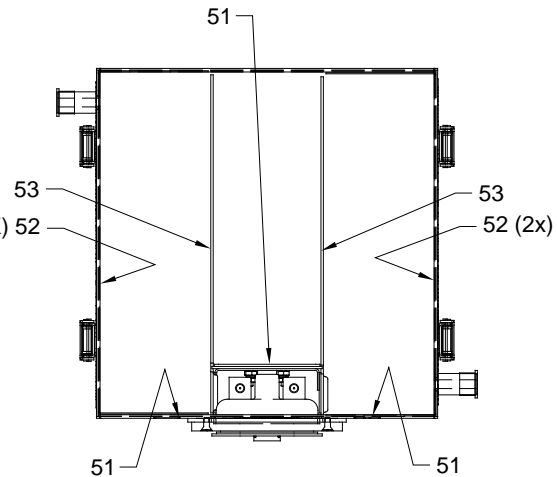
IPL-1067  
DCR 59577 REV -



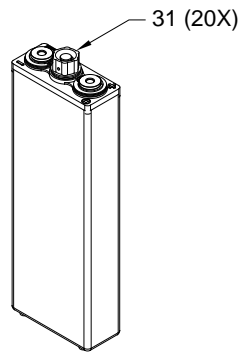
EXPLODED VIEW  
T=TORQUE (IN. LBS.)



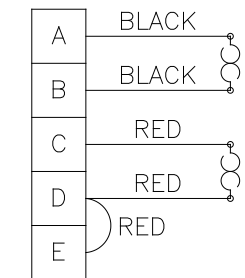
40-90 REF.  
DETAIL A



LINERS & SHIMS



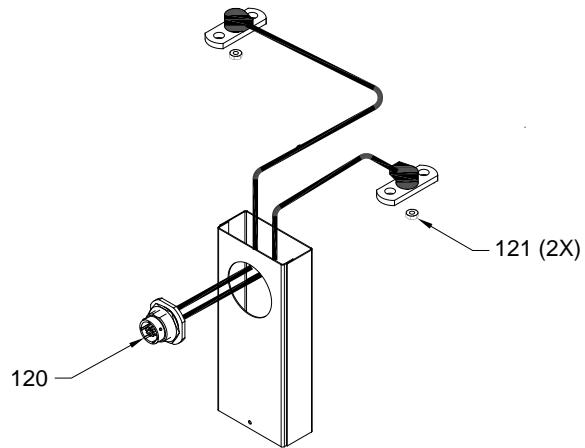
30 REF.  
DETAIL B



TWO THERMOSTATS  
NORMALLY OPEN ON  
TEMPERATURE RISE.  
CLOSES 160° F ± 5° F ↑  
RE-OPENS 145° F ± 5° F ↓

MS3114P14-5P

SCHEMATIC



120 REF.  
DETAIL C.

**MarathonNorco Aerospace**

PO Box 8233, Waco, Texas 76714-8233  
8301 Imperial Dr., Waco, Texas 76712  
Phone (254) 776-0650 / Fax (254) 776-6558

IPL-1067  
DCR 59577 REV -

## ILLUSTRATED PARTS LIST

Figure Item	Part Number	Nomenclature	Units Per Assy
1	31406-002	BATTERY, PTSP-400-1 20-40SP100	1
10	40389-002	CAN, MARKED	1
11	16065-012	DUST CAP <b>(RBF)</b>	2
20	27291-004	ASSEMBLY, SPACER	1
30	30114-01C	CELL ASSEMBLY, 40SP100	20
31	16934-001	FILLER CAP ASSEMBLY	20
40		LINERS	
50		SHIMS	
51	9988-174	SHIM	3
52	9988-047	SHIM	4
53	9988-149	SHIM	2
60		BARRIERS	
70		CONNECTORS	
71	16102-131	CONNECTOR	10
72	16102-187	CONNECTOR	5
73	16167-006	CONNECTOR	3
74	16167-007	CONNECTOR	1
80		WASHERS	
81	16128-034	BELLEVILLE WASHER	42
90		INTERCONNECTOR FASTENERS	
91	10488-011	SCREW, SOCKET HD. CAP 1/4-28	42
100	40062-001	COVER, MARKED	1
110	16163-023	ASSEMBLY RECEPTACLE	1
111	24583-001	RING, RECTANGULAR	1
112	23084-001	SCREW, FL.HD. SEMS 8-32	4
113	26916-001	COVER, INSULATOR <b>(RBF)</b>	1
120	31581-002	ASSEMBLY, HARNESS	1
121	15013-009	NUT, ESNA 6-32	2

**RBF - REMOVE BEFORE FLIGHT**



PO Box 8233, Waco, Texas 76714-8233  
8301 Imperial Dr., Waco, Texas 76712  
Phone (254) 776-0650 / Fax (254) 776-6558

IPL-1067  
DCR 59577 REV -