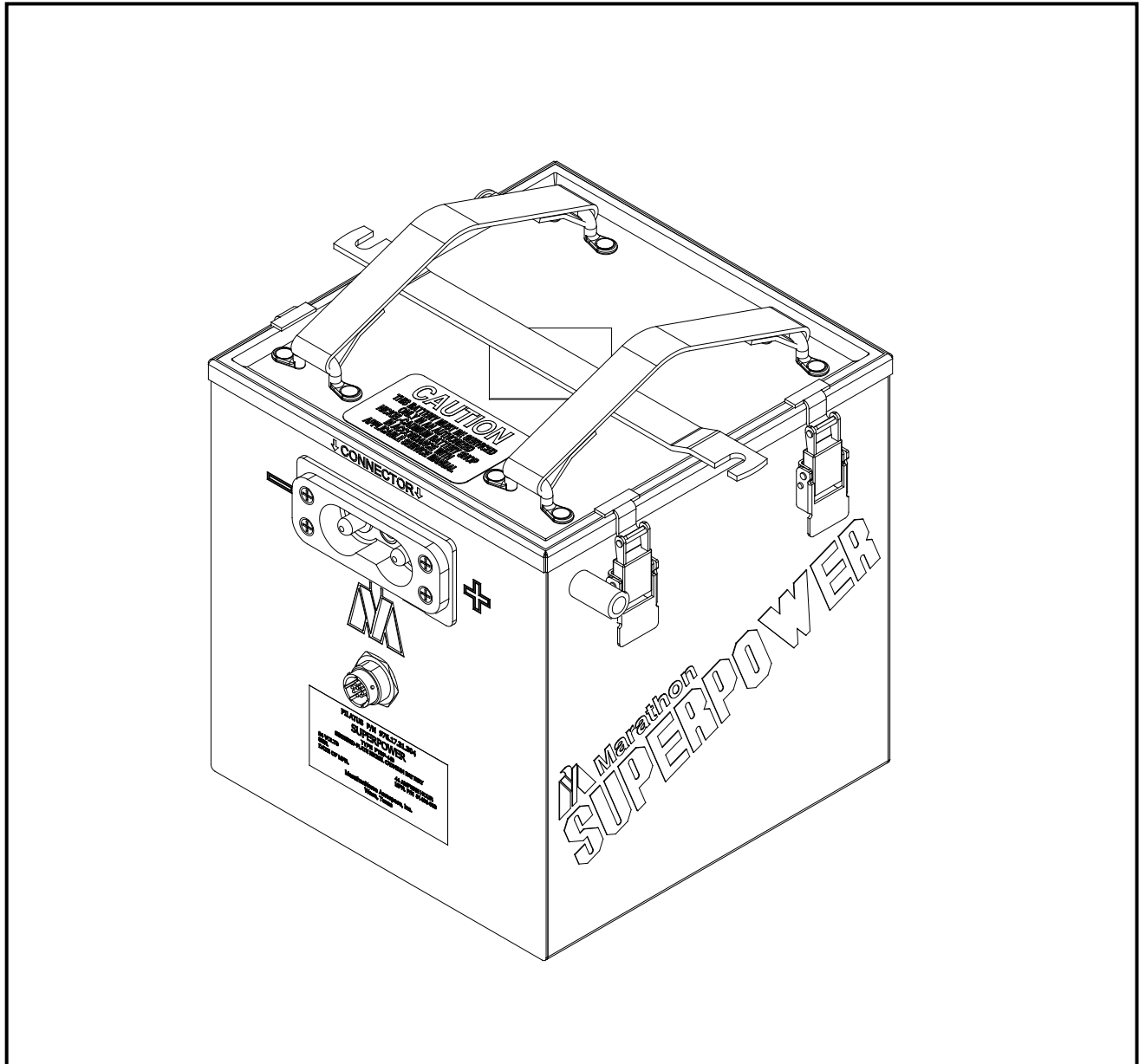




Nickel-Cadmium Aircraft Batteries
Model PTSP-440 (A31406-003) Battery Replacement Parts

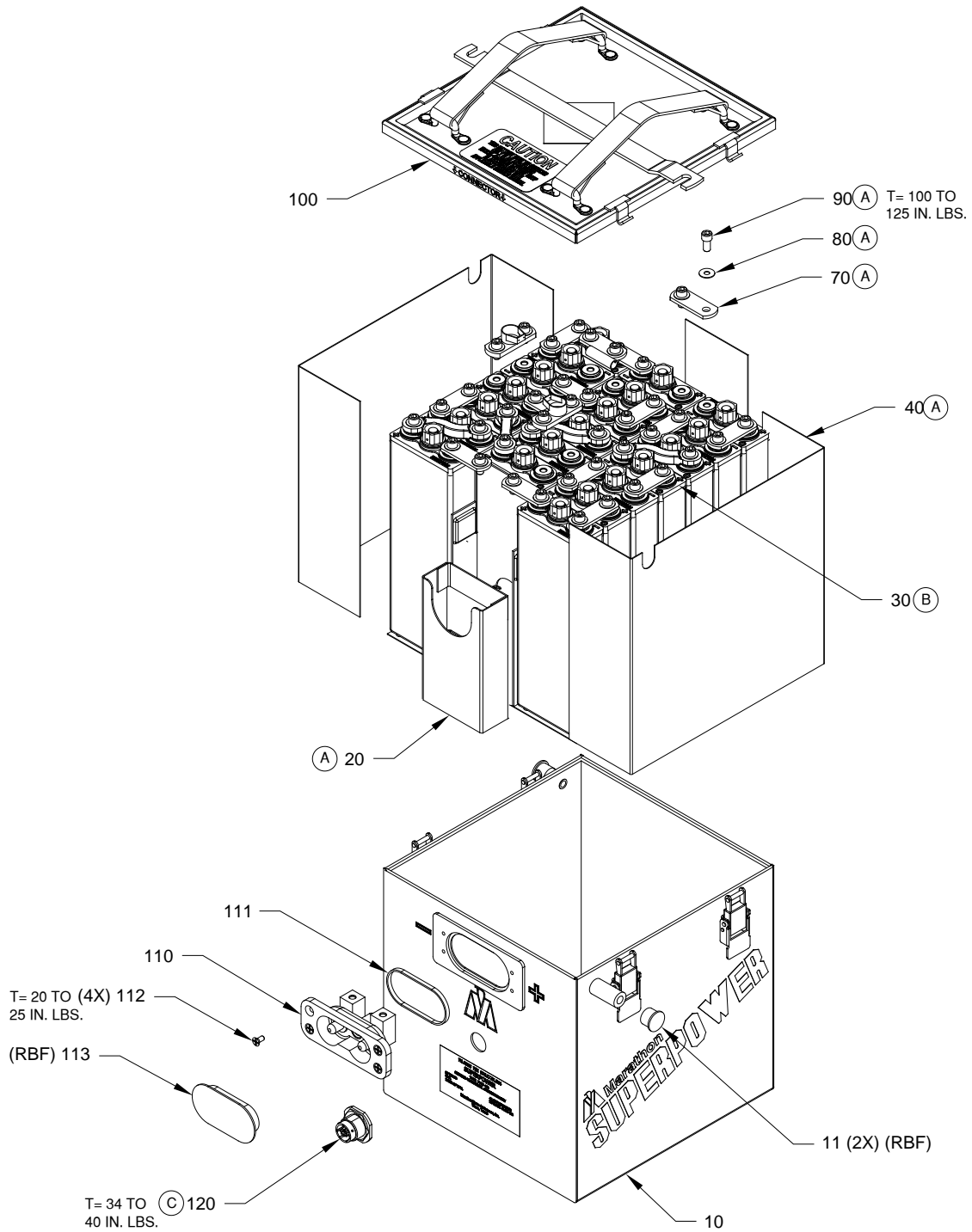


MarathonNorco Aerospace

PO Box 8233, Waco, Texas 76714-8233
8301 Imperial Dr., Waco, Texas 76712
Phone (254) 776-0650 / Fax (254) 776-6558

Page 1

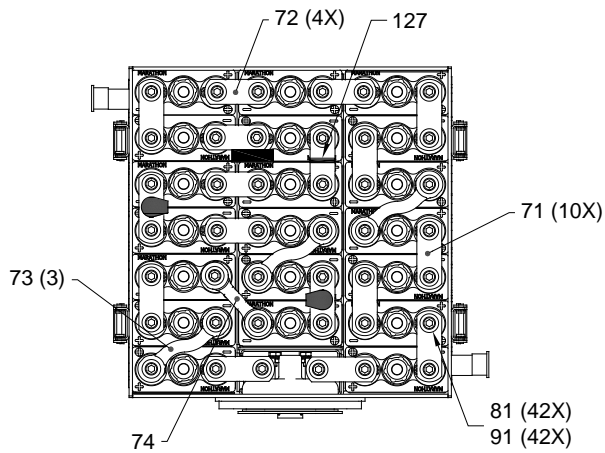
IPL-1066
DCR 59577 REV -



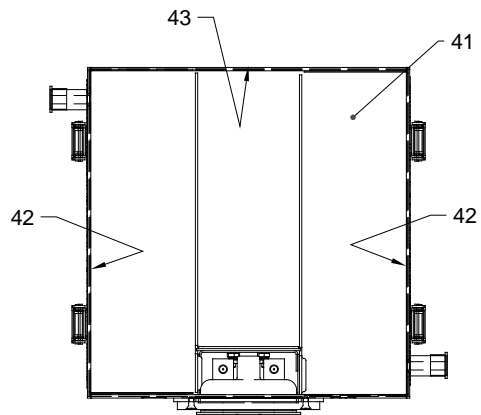
EXPLODED VIEW
T=TORQUE (IN. LBS.)

MarathonNorco Aerospace

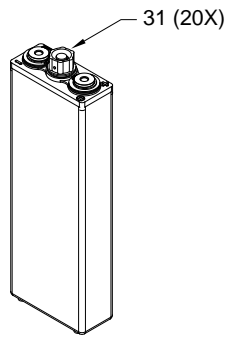
PO Box 8233, Waco, Texas 76714-8233
8301 Imperial Dr., Waco, Texas 76712
Phone (254) 776-0650 / Fax (254) 776-6558



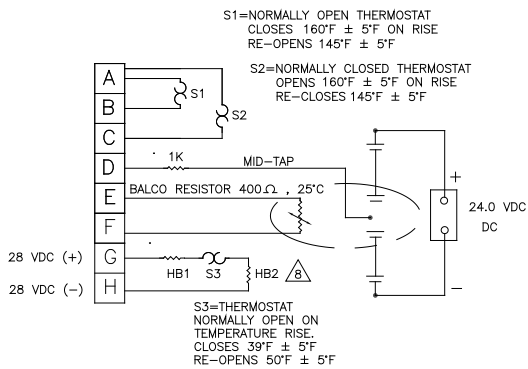
40-90 REF.
DETAIL A



LINERS & SHIMS

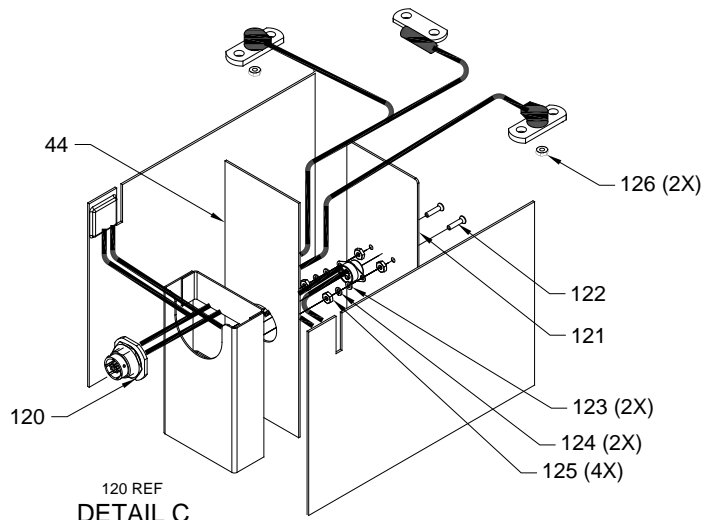


30 REF.
DETAIL B



MS3114912-8P OR EQUIVALENT
(MATES WITH M3116P12-8S OR MS3126912-8S PLUG)

SCHEMATIC



120 REF.
DETAIL C.

ILLUSTRATED PARTS LIST

Figure Item	Part Number	Nomenclature	Units Per Assy
1	31406-003	BATTERY, PTSP-440 20-44SP100	1
10	40389-003	CAN, MARKED	1
11	16065-012	DUST CAP (RBF)	2
20	32910-003	ASSEMBLY, SPACER	1
30	31004-04C	CELL ASSEMBLY, 44SP100	20
31	16934-001	FILLER CAP ASSEMBLY	20
40		LINERS	
41	32977-001	LINER, BOTTOM	1
42	32194-017	LINER, SIDE	2
43	9988-239	LINER, MIDDLE	1
44	32995-005	LINER, CENTER FRONT	1
50		SHIMS	
60		BARRIERS	
70		CONNECTORS	
71	16102-131	CONNECTOR	10
72	16102-187	CONNECTOR	4
73	16167-006	CONNECTOR	3
74	16167-007	CONNECTOR	1
80		WASHERS	
81	16128-001	BELLEVILLE WASHER	42
90		INTERCONNECTOR FASTENERS	
91	10488-011	SCREW, SOCKET HD. CAP	42
100	40325-006	COVER, MARKED	1
110	16163-023	ASSEMBLY RECEPTACLE	1
111	24583-001	RING, RECTANGULAR	1
112	23084-001	SCREW, FL.HD. SEMS	4
113	26916-001	COVER, INSULATOR (RBF)	1
120	33295-001	ASSEMBLY, HARNESS	1
121	32706-001	PLATE, THERMOSTAT	1
122	MS51959-31	SCREW, MACH FLAT CNSK	2
123	18100-057	WASHER, FLAT	2
124	MS35338-136	WASHER, LOCK SPRING, HELICAL	2
125	15111-035	NUT HEX	4
126	15013-009	NUT, ESNA	2
127	29247-001	TIE, CABLE	1

RBF - REMOVE BEFORE FLIGHT



PO Box 8233, Waco, Texas 76714-8233
 8301 Imperial Dr., Waco, Texas 76712
 Phone (254) 776-0650 / Fax (254) 776-6558

IPL-1066
 DCR 59577 REV -