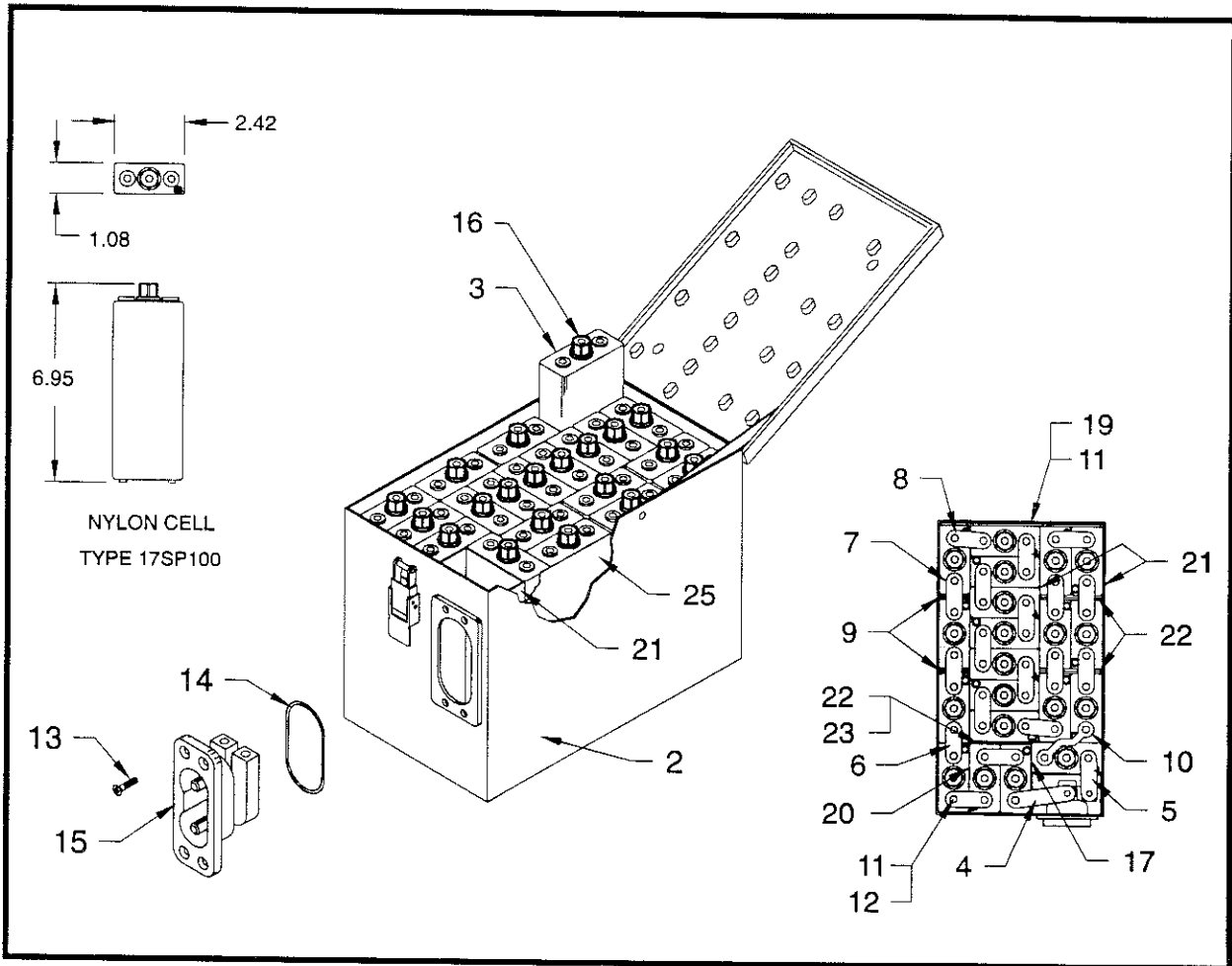


Marathon Power Technologies Company

Nickel-Cadmium Aircraft Batteries

Model SP-1700 Replacement Parts



ITEM	DESCRIPTION	PART NUMBER	QTY
1	BATTERY, SP1700	30135-001	1
2	CAN & COVER, MARKED	40063-001	1
3	CELL - 17SP100	30090-01C	20
4	CONNECTOR	10371-157	1
5	CONNECTOR	10371-154	1
6	CONNECTOR	10371-146	1
7	CONNECTOR	10371-144	15
8	CONNECTOR	10371-145	2
9	SHIM	9988-112	12
10	CONNECTOR, S	16167-008	1
11	WASHER, BELLEVILLE	16128-028	42
12	SCREW, SOCKET	10488-020	42

ITEM	DESCRIPTION	PART NUMBER	QTY
13	SCREW, FLAT HD.	23084-001	4
14	RING, RECTANGULAR	24583-001	1
15	ASSEMBLY, RECEPTACLE	29000-003	1
16	FILLER CAP	25529-004	20
17	SPACER	29124-002	1
18	SHIM	9988-110	4
19	SHIM	9988-111	1
20	SHIM	9988-118	1
21	SHIM	9988-119	3
22	SHIM	9988-120	1
23	SHIM	9988-121	1
24			



Marathon Power Technologies Company

Hi011596

Battery Products
P.O. Box 8233, Waco, Texas 76714
8301 Imperial Drive, Waco, Texas 76712
TEL (817) 776-0650 FAX (817) 776-6558