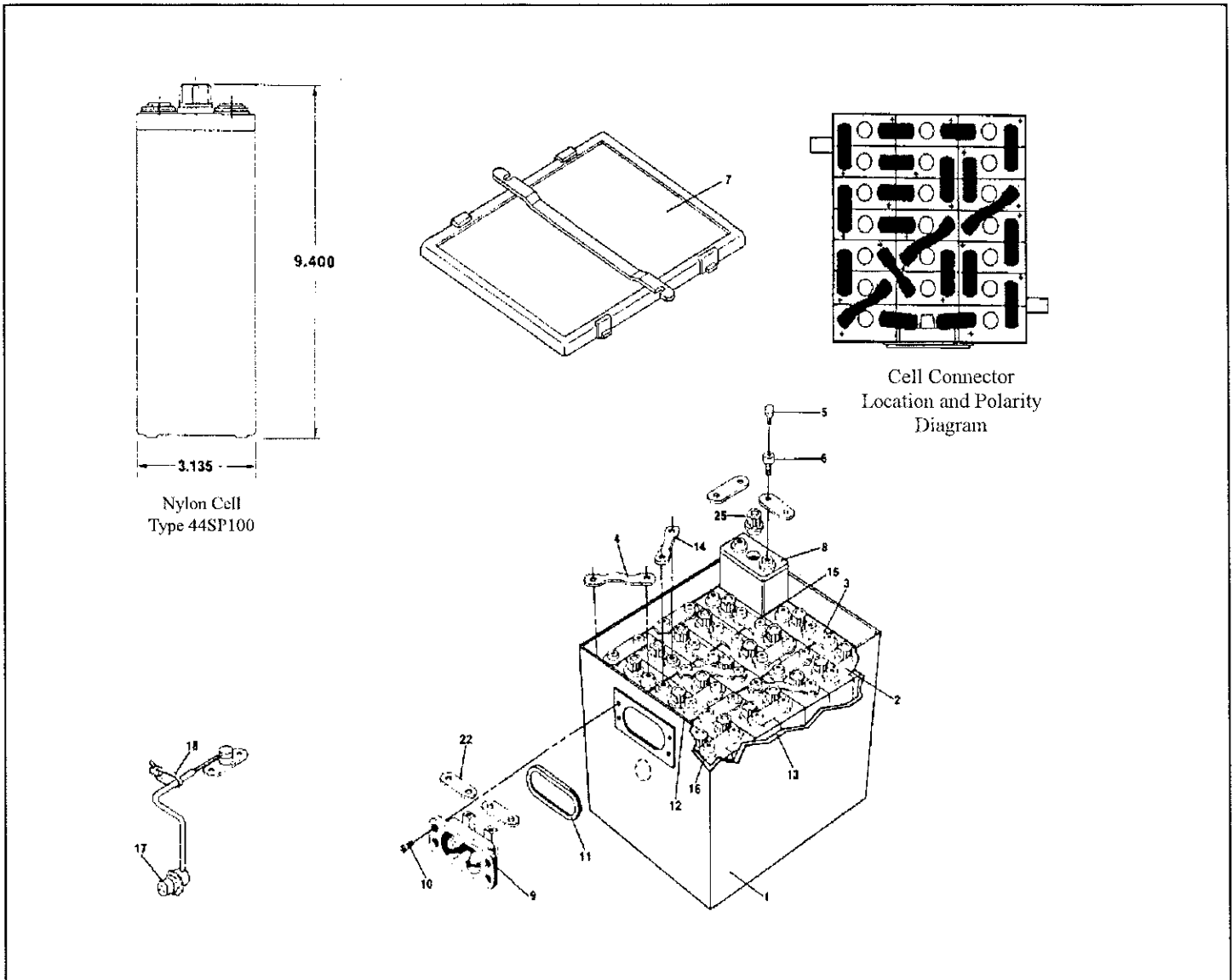


MARATHON POWER TECHNOLOGIES COMPANY

Nickel-Cadmium Aircraft Batteries

Illustrated Parts List

SP-376



Item	Description	Part Number	Qty	Item	Description	Part Number	Qty
01	Can Marked	40167-001	1	11	Rectangular Ring	24583-001	1
02	Connector	10102-135	11	12	Spacer	27291-004	1
03	Connector	16102-136	5	13	Shim	9988-047	3
04	Connector	16167-006	3	14	Connector	16167-00	1
05	Bit, T30 Torx Drive	30938-001	1	15	Shim	9988-149	2
06	Screw, Sems, T30 Torx Drive	30877-002	42	16	Shim	9988-174	2
07	Cover, Marked	40062-001	1	17	Temperature Sensor	29565-003	1
08	Cell, Assembly (44SP100)	30114-04C	20	18	Tie, Cable	29247-001	1
09	Receptacle	16163-023	1	25	Filler Cap	16934-001	20
10	Screw, Phillips Hd.	23084-001	4				