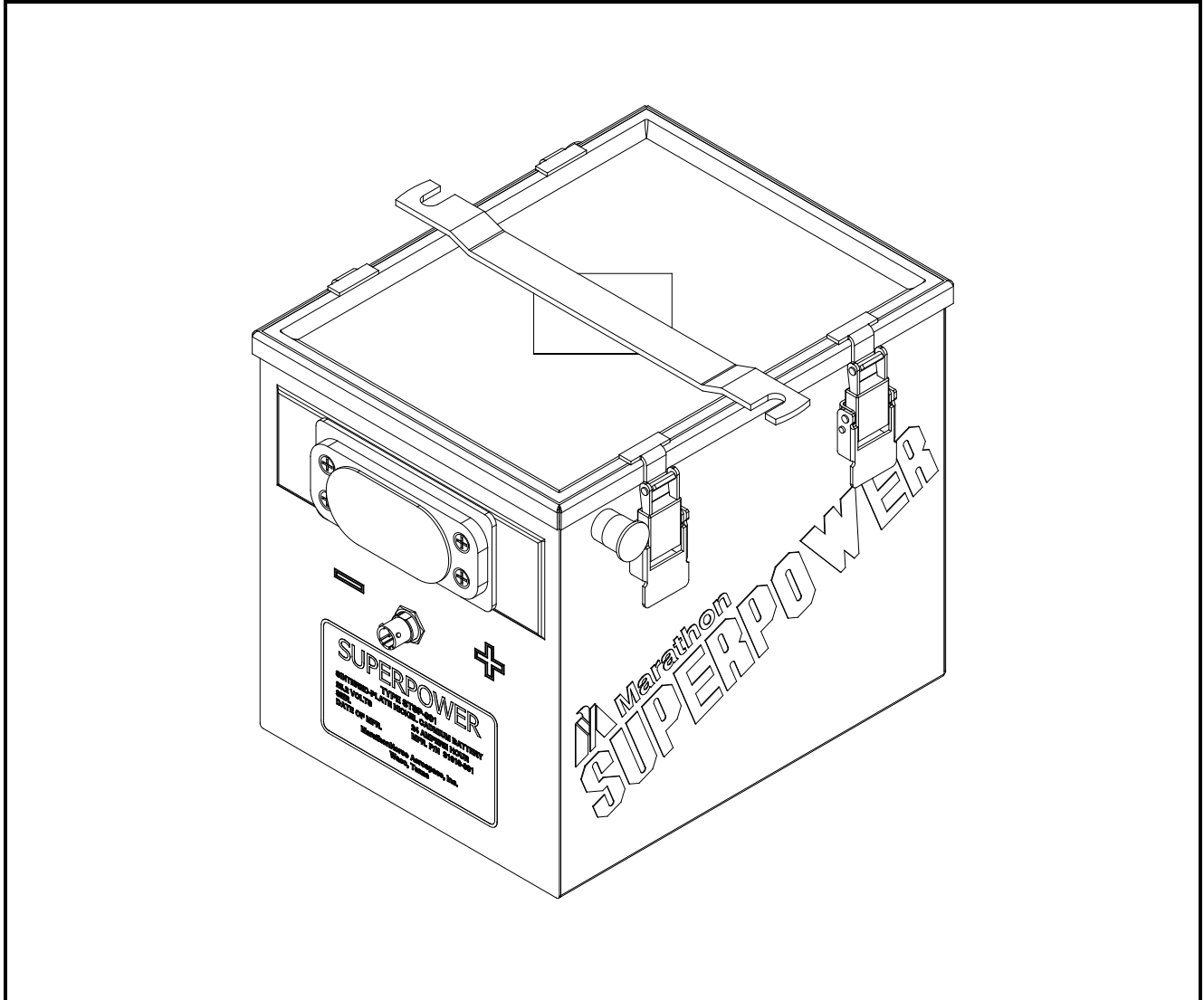




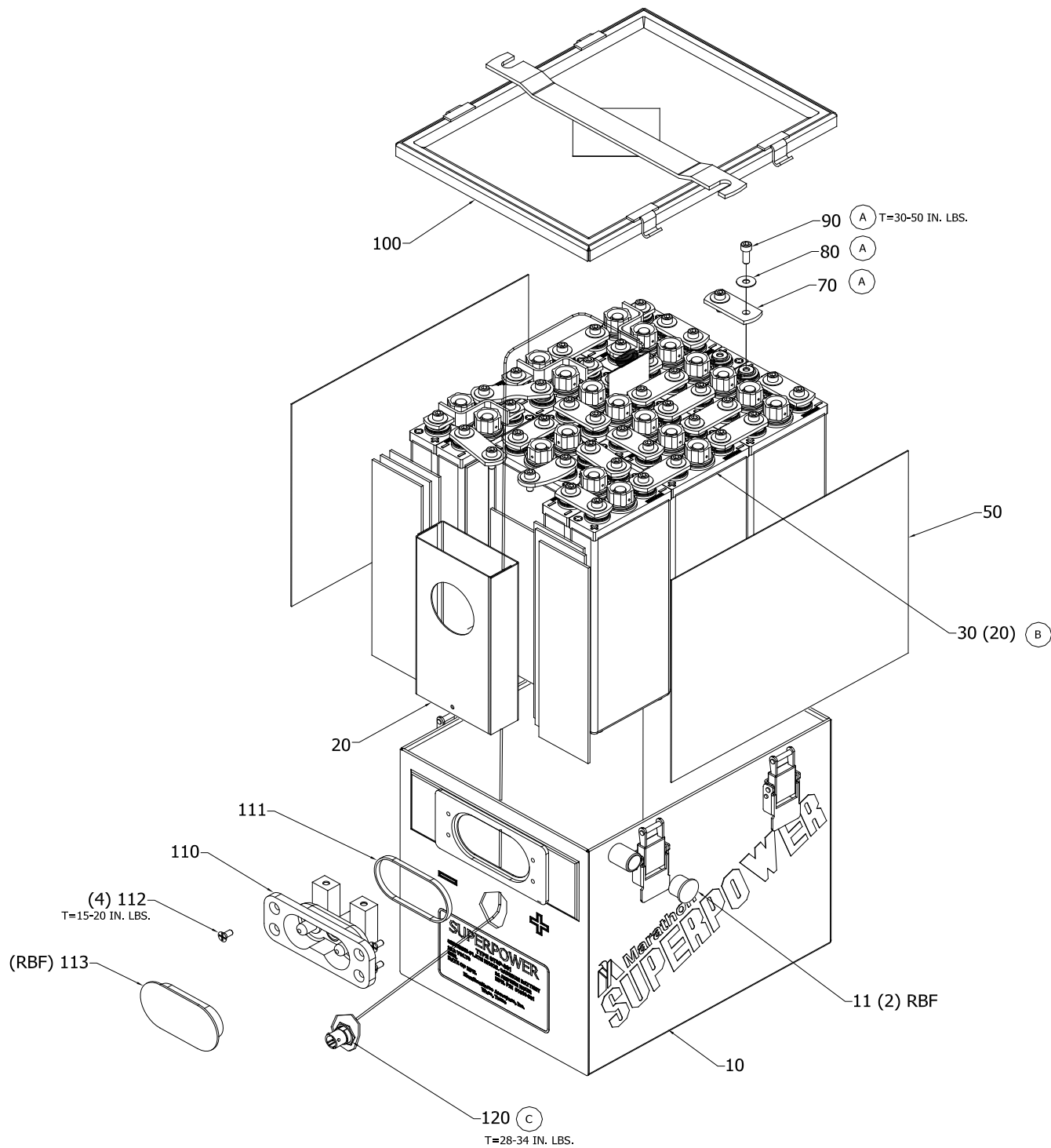
**Nickel-Cadmium Aircraft Batteries**  
Model STSP-901 (P/N 31618-001) Battery Replacement Parts



**MarathonNorco Aerospace**

PO Box 8233, Waco, Texas 76714-8233  
8301 Imperial Dr., Waco, Texas 76712  
Phone (254) 776-0650 / Fax (254) 776-6558

IPL-1063  
DCR 59499 REV-



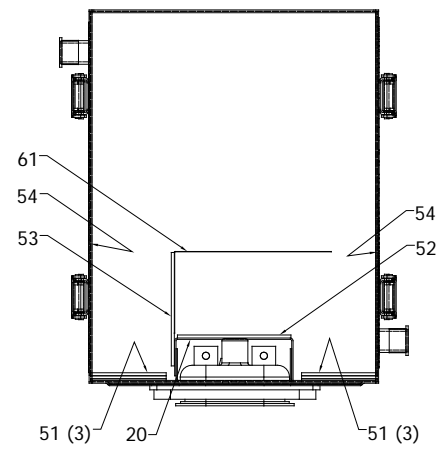
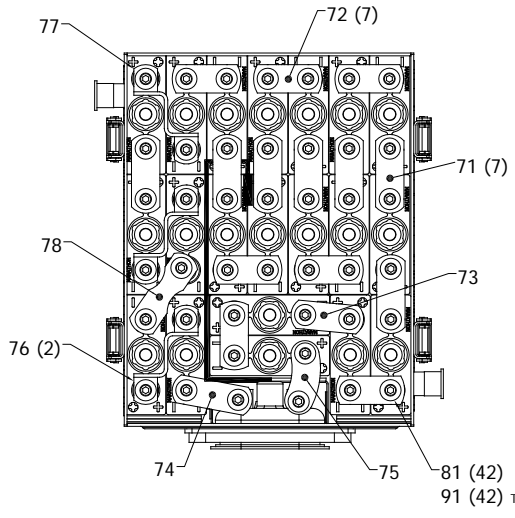
**EXPLODED VIEW**

T=TORQUE IN. LBS.

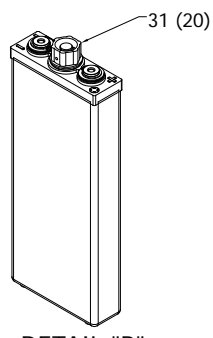
**MarathonNorco Aerospace**

PO Box 8233, Waco, Texas 76714-8233  
 8301 Imperial Dr., Waco, Texas 76712  
 Phone (254) 776-0650 / Fax (254) 776-6558

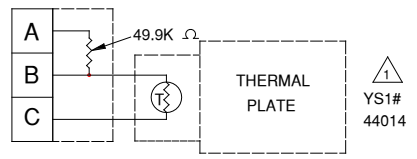
IPL-1063  
 DCR 59499 REV-



**DETAIL "A"**  
 30-80 REF.]  
 TORQUE = IN. LBS.



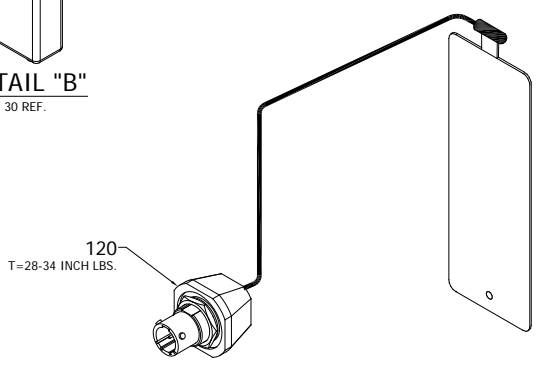
**DETAIL "B"**  
 30 REF.



**SCHMATIC**

TYPICAL THERMISTOR VALUES

TEMP (C°)	RESIST (K ) Ω
25°	300.0
40°	149.4
55°	79.22
70°	42.85



**DETAIL "C"**  
 120 REF.  
 TORQUE = IN LBS.

**MarathonNorco Aerospace**  
 PO Box 8233, Waco, Texas 76714-8233  
 8301 Imperial Dr., Waco, Texas 76712  
 Phone (254) 776-0650 / Fax (254) 776-6558

IPL-1063  
 DCR 59499 REV-

ILLUSTRATED PARTS LIST			
FIGURE	PART NUMBER	NOMENCLATURE	UNITS PER ASSY
-1	A31618-001	BATTERY, STSP-901 20-24SP100	1
-10	40397-001	CAN ASSY, MARKED	1
11	16065-012	DUST CAP (RBF)	2
-20	28975-002	ASSEMBLY, SPACER 25AH	1
-30	A30102-03C	CELL ASSEMBLY 25SP	20
31	26940-001	FILLER CAP ASSEMBLY & VENT	20
-40		LINERS	
-50		SHIMS	
51	9988-099	SHIM	6
52	9988-100	SHIM	1
53	9988-101	SHIM	1
54	9988-051	SHIM	4
-60		BARRIERS	
61	30449-001	BARRIER (L-SHAPE)	1
-70		CONNECTORS	
71	16102-018	CONNECTOR, BATTERY	7
72	16102-052	CONNECTOR, BATTERY	7
73	16102-007	CONNECTOR, BATTERY	1
74	16102-006	CONNECTOR, BATTERY	1
75	24574-001	CONNECTOR, BATTERY	1
76	28099-003	CONNECTOR, BATTERY	2
77	28099-002	CONNECTOR, BATTERY	1
78	29348-001	CONNECTOR, BATTERY	1
-80		WASHERS	
81	16128-001	WASHER, BELLEVILLE	42
-90		SCREWS & NUTS	
91	10488-020	SCREW, SOCKET HEAD CAP	42
-100	40292-001	ASSEMBLY, COVER LINED	1
-110	16163-003	ASSY, RECEPTACLE	1
-111	24583-001	RING, SEALING	1
-112	23084-001	SCREW, SEMS FLT HEAD	4
-113	26916-001	COVER, DUST (RBF)	1
-120	29084-005	ASSEMBLY. HARNESS	1

**RBF –REMOVE BEFORE FLIGHT**



PO Box 8233, Waco, Texas 76714-8233  
 8301 Imperial Dr., Waco, Texas 76712  
 Phone (254) 776-0650 / Fax (254) 776-6558

IPL-1063  
 DCR 59499 REV-