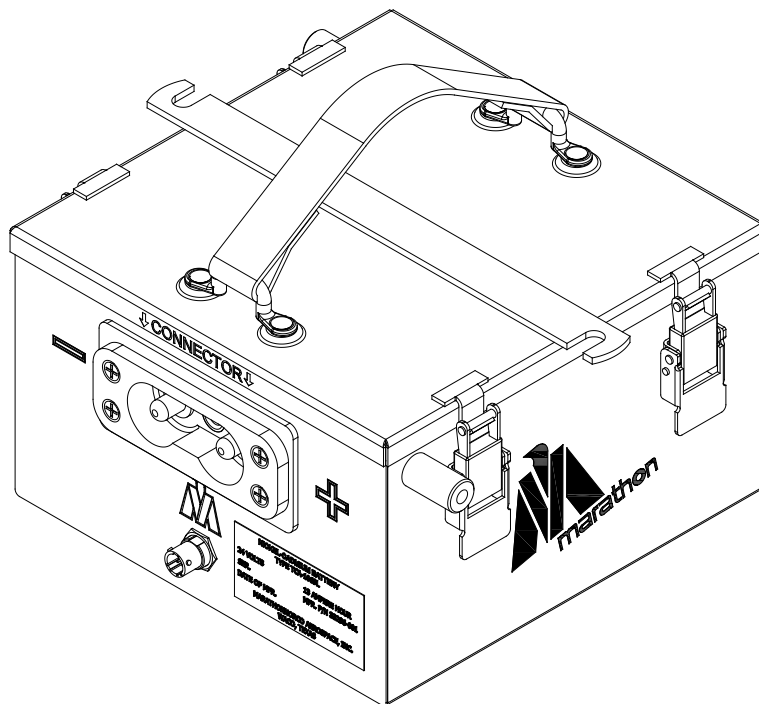




Nickel-Cadmium Aircraft Batteries

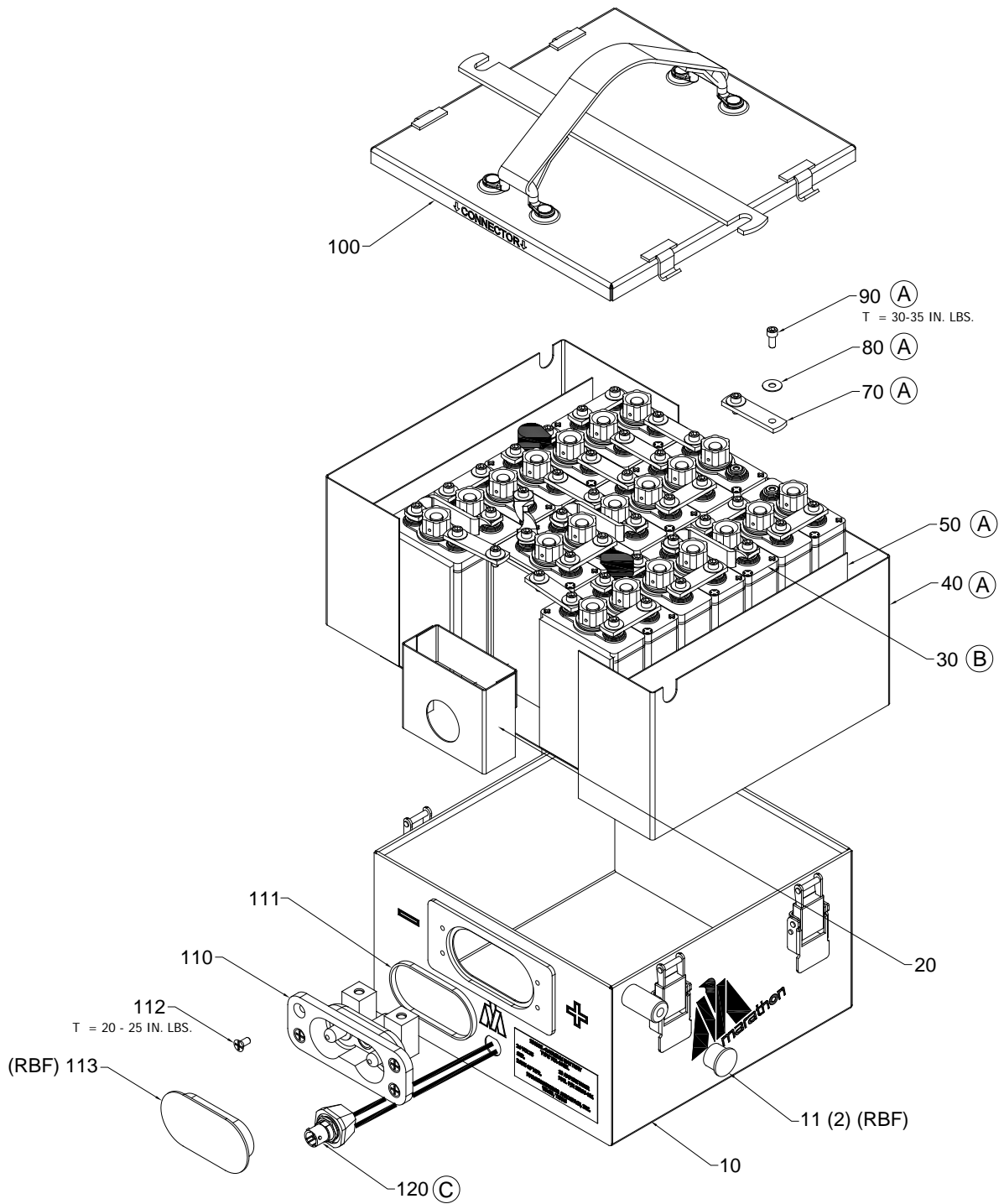
Model TCA-1069L (P/N 33296-001) Battery Replacement Parts



MarathonNorco Aerospace

PO Box 8233, Waco, Texas 76714-8233
8301 Imperial Dr., Waco, Texas 76712
Phone (254) 776-0650 / Fax (254) 776-6558

IPL-1057
DCR 59499 Rev -

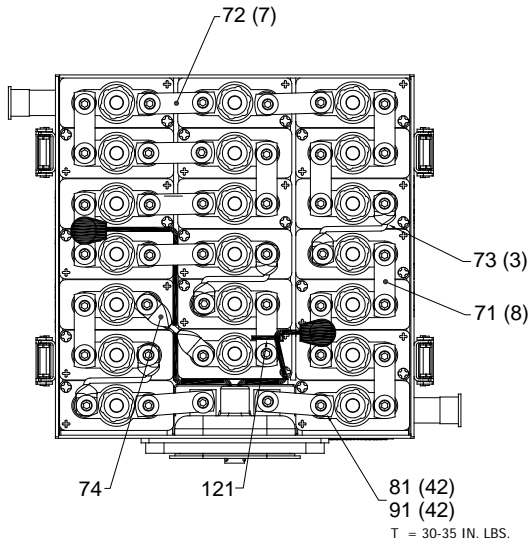


EXPLODED VIEW
T=TORQUE IN IN. LBS.

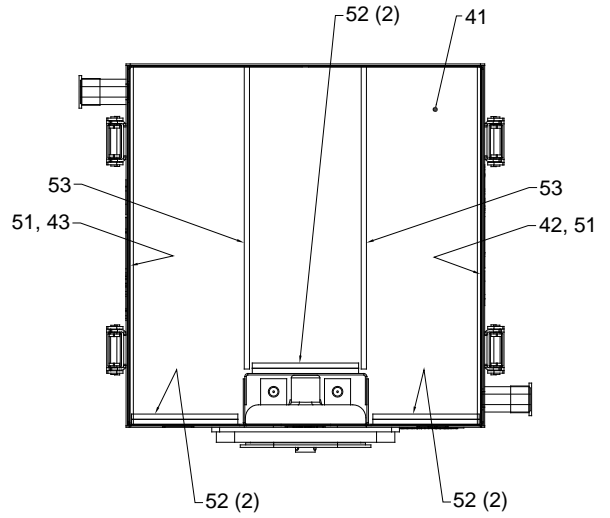
MarathonNorco Aerospace

PO Box 8233, Waco, Texas 76714-8233
8301 Imperial Dr., Waco, Texas 76712
Phone (254) 776-0650 / Fax (254) 776-6558

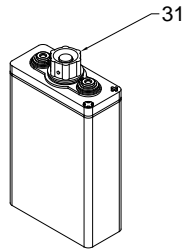
IPL-1057
DCR 59499 Rev -



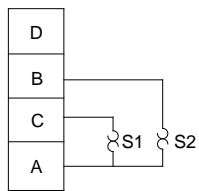
T = 30-35 IN. LBS.



DETAIL (A)
30-80 REF.
TORQUE = IN. LBS.



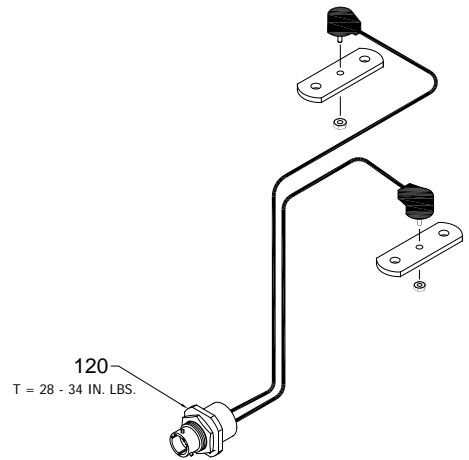
DETAIL (B)
30 REF.



MS3114-P8-4P

SCHEMATIC

NORMALLY OPEN ON RISE
CLOSES $160 \pm 5^\circ\text{F}$
RE-OPENS $145 \pm 5^\circ\text{F}$



DETAIL (C)
120 REF.
TORQUE = IN. LBS.

MarathonNorco Aerospace

PO Box 8233, Waco, Texas 76714-8233
8301 Imperial Dr., Waco, Texas 76712
Phone (254) 776-0650 / Fax (254) 776-6558

IPL-1057
DCR 59499 Rev -

ILLUSTRATED PARTS LIST

Figure item	Part Number	Nomenclature	Units Per Assy
-1	33296-001	BATTERY 20-10H120 TCA-1069L	1
-10	40632-001	CAN ASSY, MARKED	1
-11	16065-012	DUST CAP (RBF)	2
-20	33328-001	SPACER	1
-30	25468-001	CELL ASSEMBLY, 10H120	20
31	16934-001	FILLER CAP ASSEMBLY & VENT	20
-40		LINERS	
41	33326-001	LINER, BOTTOM	1
42	33327-002	LINER, RIGHT SIDE	1
43	33327-001	LINER, LEFT SIDE	1
-50		SHIMS	
51	9988-328	SHIM	2
52	33332-002	SHIM	6
53	33332-001	SHIM	2
-60		BARRIERS	
-70		CONNECTORS	
71	10371-150	CONNECTOR, BATTERY	8
72	10371-168	CONNECTOR, BATTERY	7
73	16167-016	CONNECTOR, S	3
74	16167-017	CONNECTOR	1
-80		WASHERS	
81	16128-026	BELLEVILLE WASHER	42
-90		SCREWS & NUTS	
91	10488-031	SCREW, SOCKET HEAD CAP	42
-100	33329-001	COVER, LINED TCA-1069L	1
-110	16163-028	ASSEMBLY RECEPTACLE	1
-111	24583-001	RING, RECTANGULAR	1
-112	23084-001	SCREW, FL.HD. SEMS	4
-113	26916-001	COVER, INSULATOR (RBF)	1
-120	32899-002	ASSY, HARNESS TEMP	1
121	29247-001	TIE, CABLE	1

RBF - REMOVE BEFORE FLIGHT

MarathonNorco Aerospace

PO Box 8233, Waco, Texas 76714-8233
8301 Imperial Dr., Waco, Texas 76712
Phone (254) 776-0650 / Fax (254) 776-6558

IPL-1057
DCR 59499 Rev -