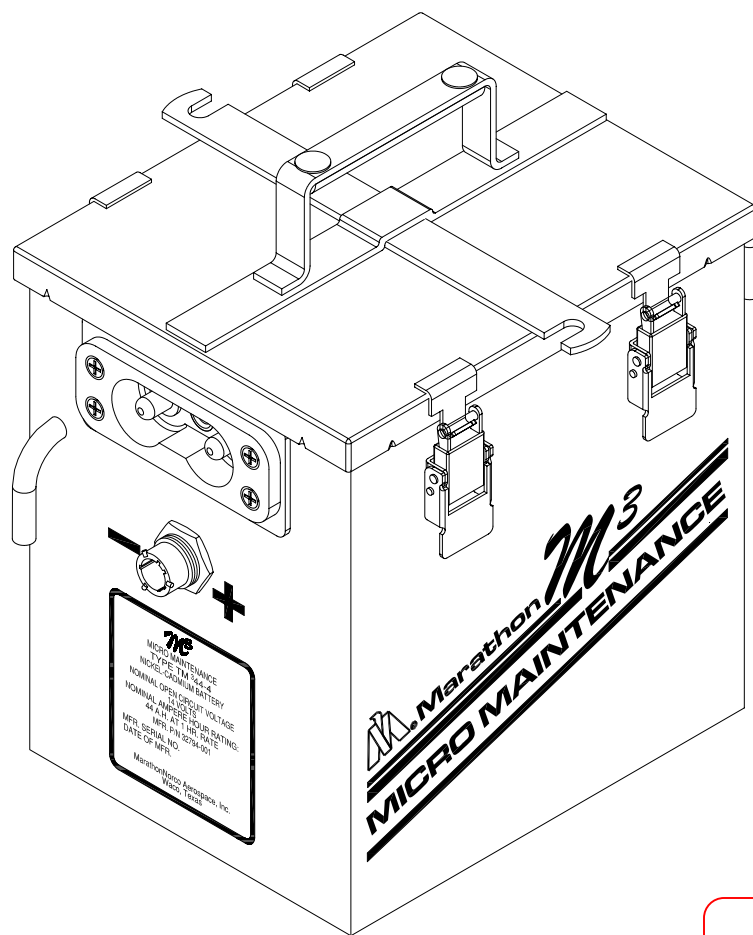




Nickel-Cadmium Aircraft Batteries

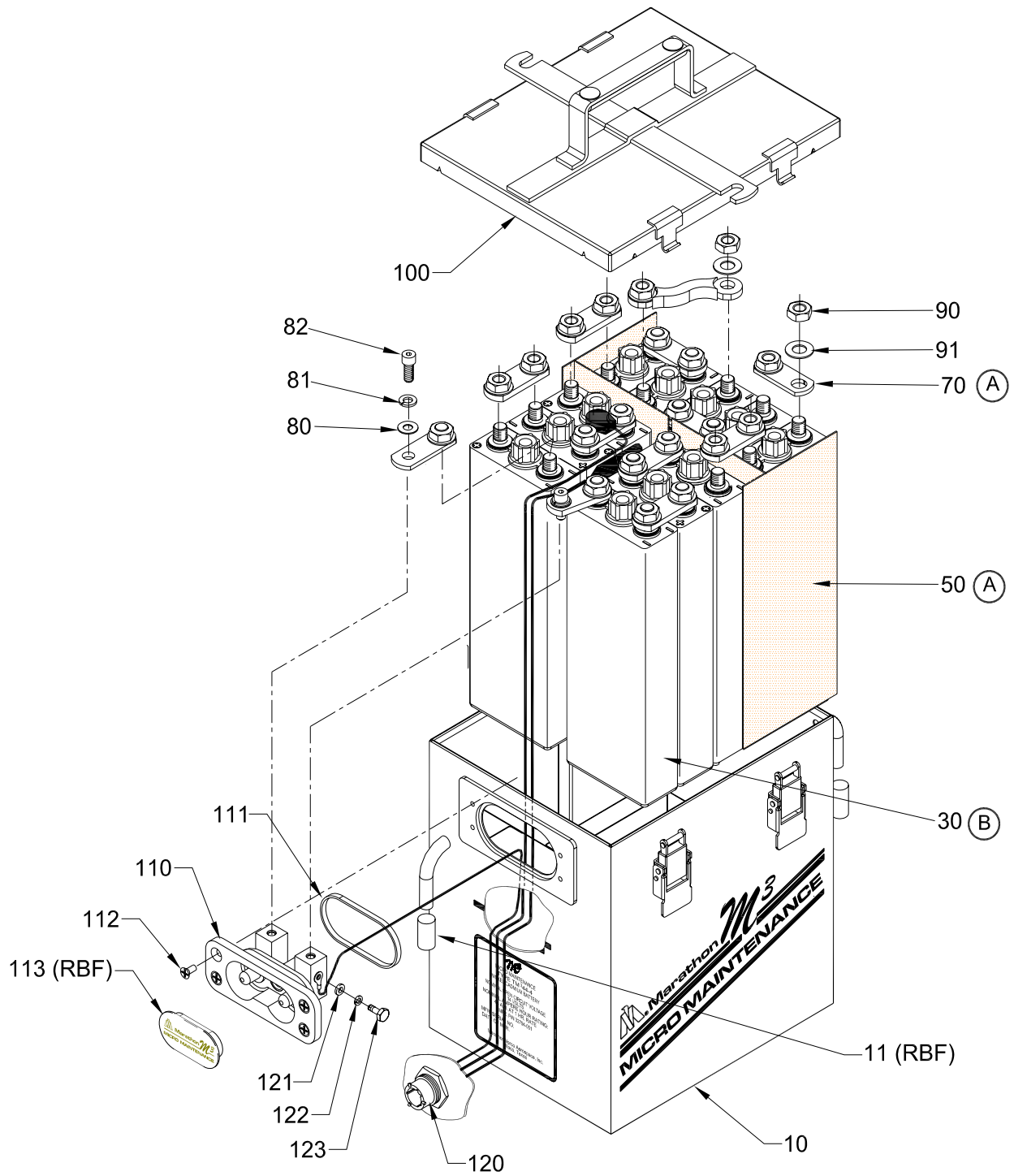
Model TM³-44-4 Battery Replacement Parts



**MNAI
Released
Non-Controlled**

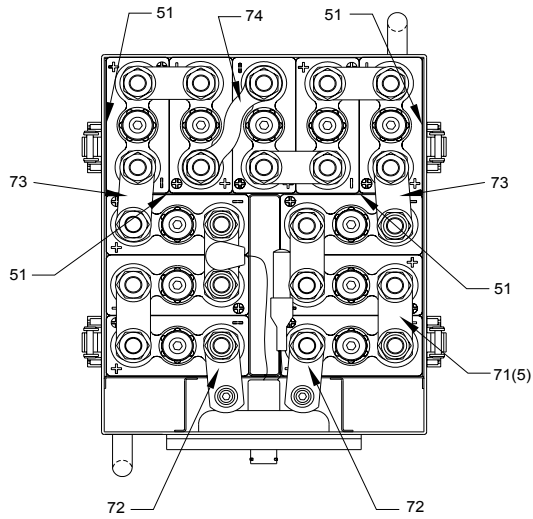
MarathonNorco Aerospace

PO Box 8233, Waco, Texas 76714-8233
8301 Imperial Dr., Waco, Texas 76712
Phone (254) 776-0650 / Fax (254) 776-6558

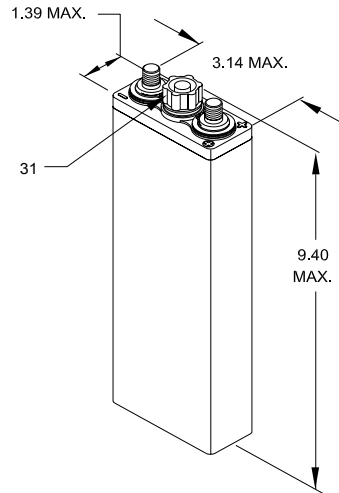


MarathonNorco Aerospace

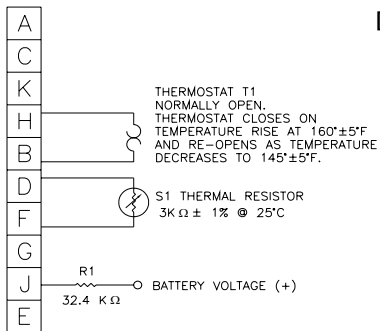
PO Box 8233, Waco, Texas 76714-8233
 8301 Imperial Dr., Waco, Texas 76712
 Phone (254) 776-0650 / Fax (254) 776-6558



50-70 REF.
DETAIL A



30 REF.
DETAIL B



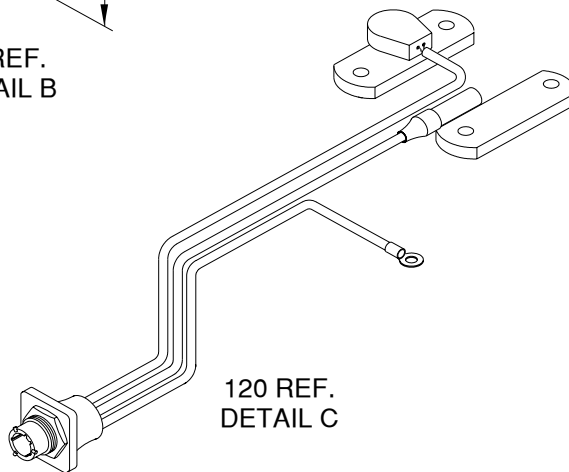
MS3474L12-10PN

SCHEMATIC

THERMOSTAT T1
NORMALLY OPEN.
THERMOSTAT CLOSSES ON
TEMPERATURE RISE AT 160°±5°F
AND RE-OPENS AS TEMPERATURE
DECREASES TO 145°±5°F.

S1 THERMAL RESISTOR
3K Ω ± 1% @ 25°C

R1
32.4 K Ω BATTERY VOLTAGE (+)



ILLUSTRATED PARTS LIST

| Figure item | Part Number | Nomenclature | Units Per Assy |
|-------------|-------------|--|----------------|
| 1 | 32794-001 | BATTERY, TM ³ -44-1 11-44M ³ 120ST NI-CD (32795-001) | 1 |
| 10 | 40541-001 | CAN ASSEMBLY, MARKED | 1 |
| 11 | 15766-002 | DUST CAP-VENT TUBE (RBF) | 2 |
| 30 | 32637-003 | CELL ASSEMBLY, 44M ³ 120ST (32638-003) | 11 |
| 31 | 16934-009 | FILLER CAP, V-BAFFLE | 11 |
| -50 | | SHIMS | |
| 51 | 9988-174 | SHIM, 8.63 x 3.06 x .031 | 4 |
| -60 | | BARRIERS | |
| -70 | | CONNECTORS | |
| 71 | 32777-004 | CONNECTOR | 5 |
| 72 | 32782-002 | CONNECTOR | 2 |
| 73 | 32777-003 | CONNECTOR | 2 |
| 74 | 32780-001 | CONNECTOR | 1 |
| 80 | 18100-022 | WASHER, FLAT, 1/4 S.S. | 2 |
| 81 | 6560-017 | WASHER, LOCK, 1/4 S.S. | 2 |
| 82 | 10488-011 | SCREW, SOCKET HD. CAP 1/4-28 x 9/16 | 2 |
| 90 | 15111-094 | JAM NUT, HEX 3/8-16 | 22 |
| 91 | 16128-042 | WASHER, BELLEVILLE | 22 |
| 100 | 30478-003 | ASSEMBLY, COVER LINED | 1 |
| 110 | 32574-002 | RECEPTACLE, ASSEMBLY | 1 |
| 111 | 24583-001 | RING, RECTANGULAR | 1 |
| 112 | 23084-001 | SCREW, FLAT HD. SEMS 8-32 x 3/8 | 4 |
| 113 | 26916-006 | DUST CAP-MAIN ELECTRICAL (RBF) | 1 |
| 120 | 32809-001 | ASSEMBLY HARNESS | 1 |
| 121 | 18100-007 | WASHER, FLAT #6 | 1 |
| 122 | 6560-002 | WASHER, LOCK #6 | 1 |
| 123 | 10246-044 | SCREW HEX HD. 6-32 | 1 |

RBF - REMOVE BEFORE FLIGHT



PO Box 8233, Waco, Texas 76714-8233
8301 Imperial Dr., Waco, Texas 76712
Phone (254) 776-0650 / Fax (254) 776-6558

IPL-1013