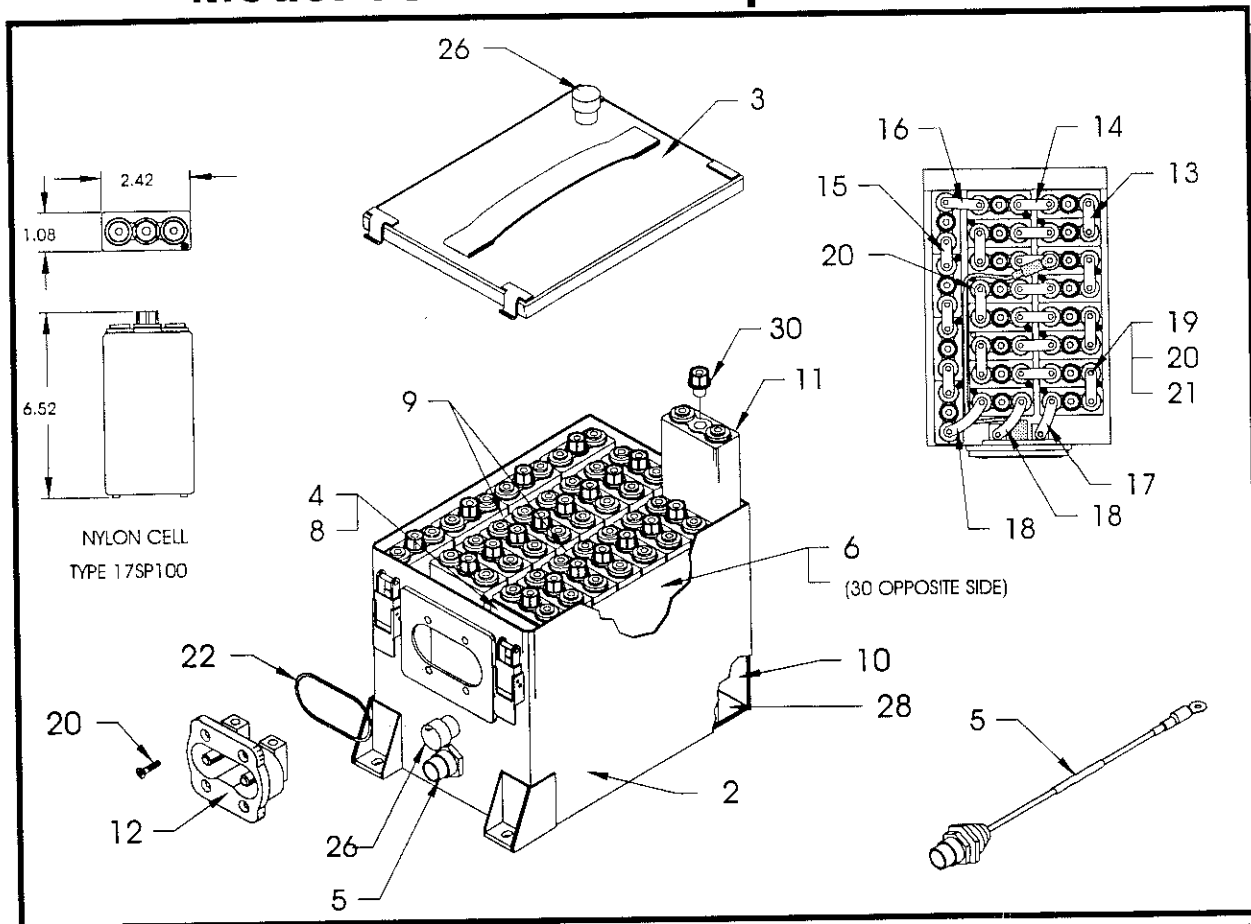


Marathon Power Technologies Company

Nickel-Cadmium Aircraft Batteries

Model TSP - 1760L Replacement Parts



ITEM	DESCRIPTION	PART NUMBER	QTY
1	BATTERY	31918-001	1
2	CAN, MARKED	40475-001	1
3	COVER, MARKED	40428-001	1
4	SPACER	30522-002	1
5	SENSOR, TEMP URDC 3999	31023-001	1
6	SHIM	9988-165	2
7	BARRIER	9988-120	1
8	SHIM	9988-112	9
9	BARRIER	9988-108	1
10	BARRIER	9988-181	2
11	CELL 17SP100	30090-01C	20
12	ASSEMBLY, RECEPTACLE	27904-004	1
13	CONNECTOR	16102-162	7
14	CONNECTOR	16102-163	7
15	CONNECTOR	16102-164	3

ITEM	DESCRIPTION	PART NUMBER	QTY
16	CONNECTOR	16102-165	1
17	CONNECTOR	16102-166	1
18	CONNECTOR	30452-001	2
19	WASHER, BELLEVILLE	16128-028	42
20	SCREW, SOCK. HD. #10-32	10488-020	42
21	INHIBITOR, RUST	20441-001	AR
22	RING, RECTANGULAR	24583-001	1
23	COVER, DUST	26916-002	1
24	SPRING, SHORT OUT	25908-001	1
25	TAG, WARNING	25943-001	1
26	DUST CAP	15766-007	3
27	BOTTOM LINER	32011-001	1
28	CAN LINER, LH. SIDE	32010-001	1
29	CAN LINER, RH. SIDE	32009-001	1
30	FILLER CAP	25529-004	20



Marathon Power Technologies Company

Battery Products

P.O. Box 8233, Waco, Texas 76714

8301 Imperial Drive, Waco, Texas 76712

TEL (817) 776-0650 FAX (817) 776-6558

HI395