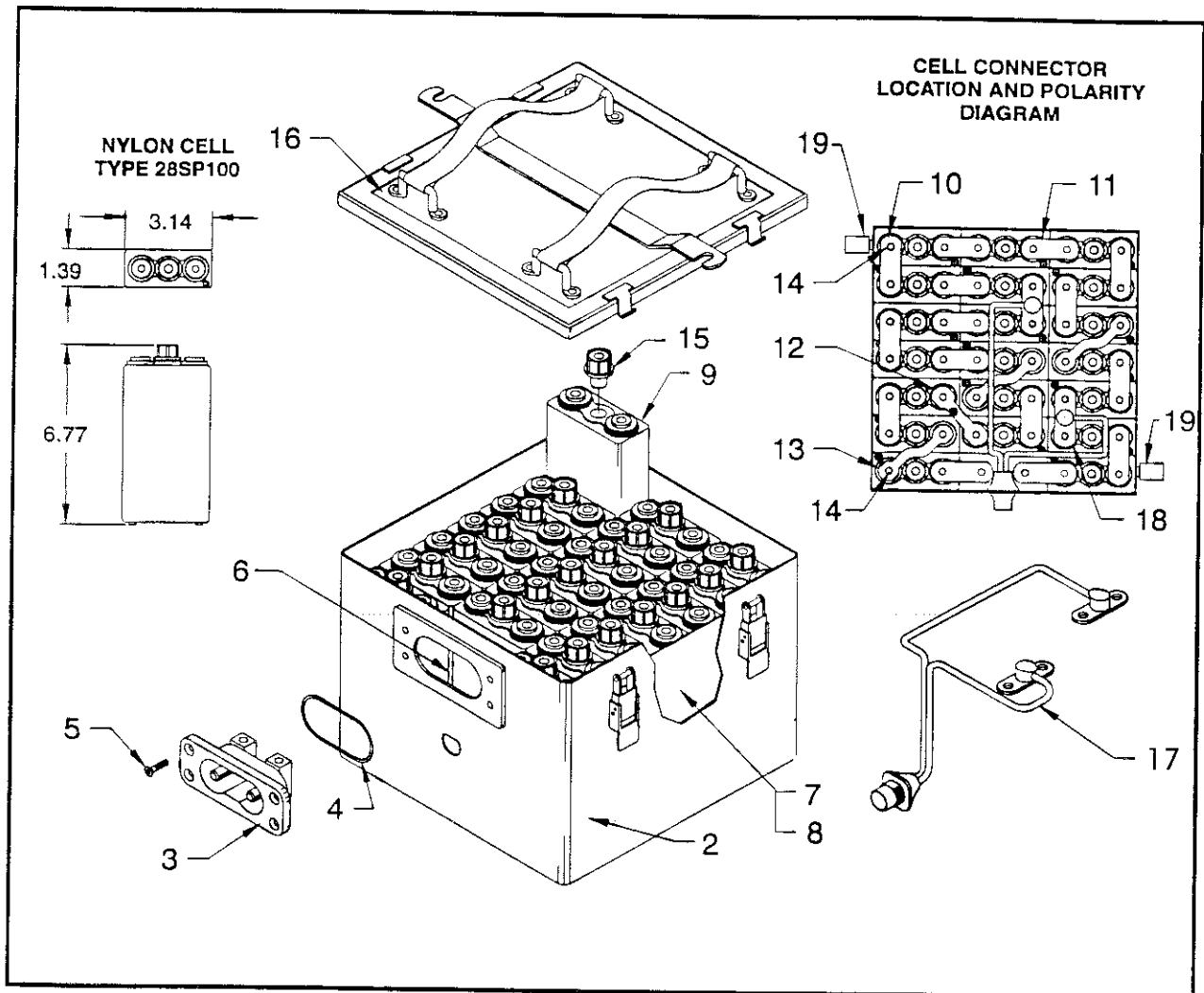


Marathon Power Technologies Company

Nickel-Cadmium Aircraft Batteries

Model TSP-280 Replacement Parts



ITEM	DESCRIPTION	PART NUMBER	QTY
1	BATTERY, TSP-280	30986-001	1
2	CAN, MARKED	40298-001	1
3	ASSEMBLY, RECEPTACLE	16163-030	1
4	RING, RECTANGULAR	24583-001	1
5	SCREW	23084-001	4
6	ASSEMBLY, SPACER	27291-010	1
7	SHIM	9988-246	4
8	SHIM	9988-247	2
9	CELL, 28SP100	30922-02C	20
10	CONNECTOR	16102-135	10

ITEM	DESCRIPTION	PART NUMBER	QTY
11	CONNECTOR	16102-160	5
12	CONNECTOR	16167-007	1
13	CONNECTOR	16167-006	3
14	SCREW, SEMS TORX	30877-002	42
15	FILLER CAP	16934-001	20
16	COVER ASSEMBLY	40346-002	1
17	ASSEMBLY HARNESS	29432-008	1
18	TEMP. CONNECTOR	28847-046	2
19	DUST CAP	16065-012	2
20			



Marathon Power Technologies Company

Hi011596

Battery Products

P.O. Box 8233, Waco, Texas 76714

8301 Imperial Drive, Waco, Texas 76712

TEL (817) 776-0650 FAX (817) 776-6558