



## Nickel-Cadmium Aircraft Batteries

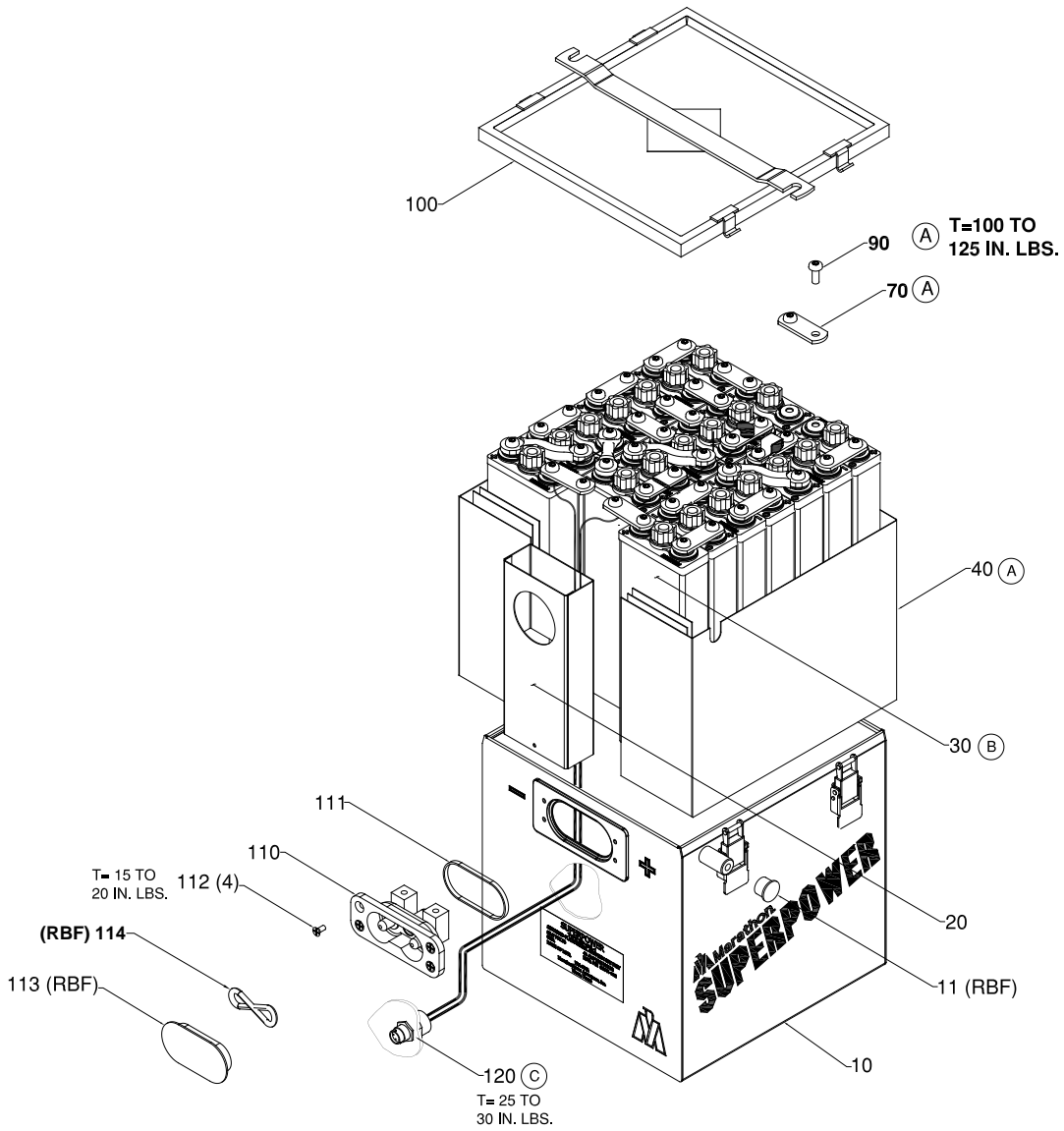
Model TSP-408L-1 (P/N 32441-002) Battery Replacement Parts



**MarathonNorco Aerospace**

PO Box 8233, Waco, Texas 76714-8233  
8301 Imperial Dr., Waco, Texas 76712  
Phone (254) 776-0650 / Fax (254) 776-6558

DCR 58715  
IPL-1059 Rev. -

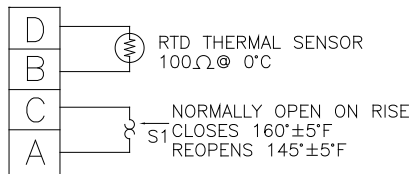
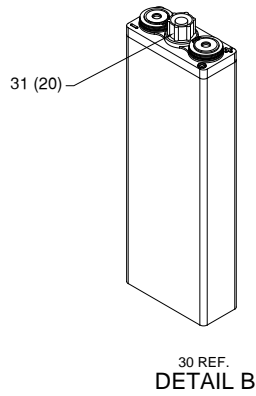
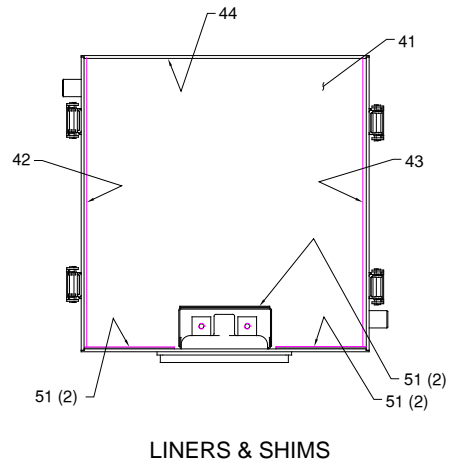
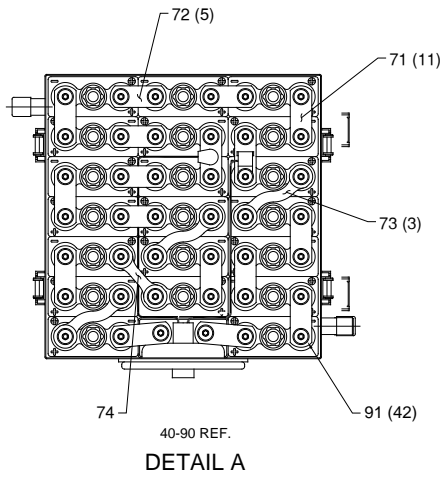


T=TORQUE (IN. LBS.)  
EXPLODED VIEW

**MarathonNorco Aerospace**

PO Box 8233, Waco, Texas 76714-8233  
 8301 Imperial Dr., Waco, Texas 76712  
 Phone (254) 776-0650 / Fax (254) 776-6558

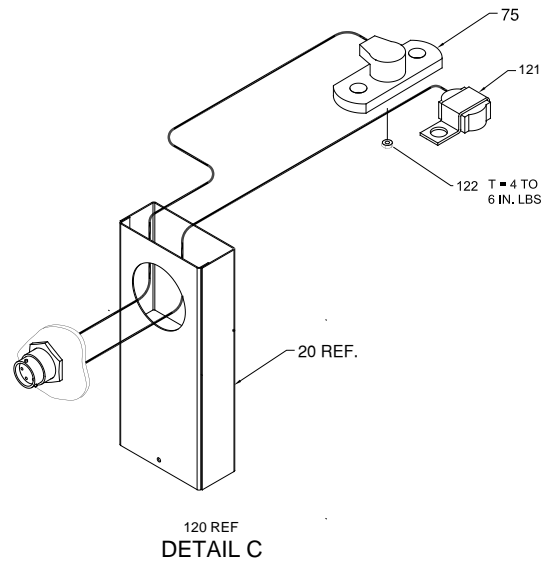
DCR 58715  
 IPL-1059 Rev. -



MS3114-P8-4P

**SCHEMATIC**

TEMPERATURE VS. RESISTANCE IN A/W STANDARD 43760 ON % TOL. ALPHA ±.00385		
TEMPERATURE		RESISTANCE (OHMS)
°C	°F	
-40	-40	84.27
-30	-22	88.22
-20	-4	92.16
-10	14	96.09
0	32	100.00
10	50	103.90
20	68	107.79
25	77	109.73
30	86	111.67
40	104	115.54
50	122	119.40
60	140	123.24
70	158	127.07



**MarathonNorco Aerospace**

PO Box 8233, Waco, Texas 76714-8233  
8301 Imperial Dr., Waco, Texas 76712  
Phone (254) 776-0650 / Fax (254) 776-6558

DCR 58715  
IPL-1059 Rev. -

## ILLUSTRATED PARTS LIST

Figure item	Part Number	Nomenclature	Units Per Assy
1	32441-002	BATTERY, TSP-408L-1 20-40SP100L	1
10	40502-003	CAN, MARKED	1
11	16065-012	DUST CAP <b>(RBF)</b>	2
20	27291-004	ASSEMBLY, SPACER	1
30	30114-07C	CELL ASSEMBLY, 40SP100L	20
31	16934-001	FILLER CAP ASSEMBLY	20
40		LINERS	
41	32194-003	LINER, BOTTOM	1
42	32194-016	LINER, LEFT SIDE	1
43	32194-015	LINER, RIGHT SIDE	1
44	32194-005	LINER, INNER REAR	1
50		SHIMS	
51	9988-209	SHIM	6
60		BARRIERS	
70		CONNECTORS	
71	16102-135	CONNECTOR	11
72	16102-136	CONNECTOR	5
73	16167-006	CONNECTOR	3
74	16167-007	CONNECTOR	1
75	28847-046	CONNECTOR	1
80		WASHERS	
90		INTERCONNECTOR FASTENERS	
91	30877-002	SCREW, SEMS T30 TORX DRIVE	42
100	40273-002	COVER, MARKED	1
110	16163-023	ASSEMBLY RECEPTACLE	1
111	24583-001	RING, RECTANGULAR	1
112	23084-001	SCREW, FL.HD. SEMS 8-32	4
113	26916-001	COVER, INSULATOR <b>(RBF)</b>	1
114	25908-001	SPRING, SHORT-OUT <b>(RBF)</b>	1
120	32470-001	ASSEMBLY, HARNESS TSP-408L	1
121	29553-001	CLAMP, HOLDDOWN	1
122	15013-009	NUT, ESNA 6-32	1

**RBF - REMOVE BEFORE FLIGHT**

**MarathonNorco Aerospace**

PO Box 8233, Waco, Texas 76714-8233  
8301 Imperial Dr., Waco, Texas 76712  
Phone (254) 776-0650 / Fax (254) 776-6558

DCR 58715  
IPL-1059 Rev. -