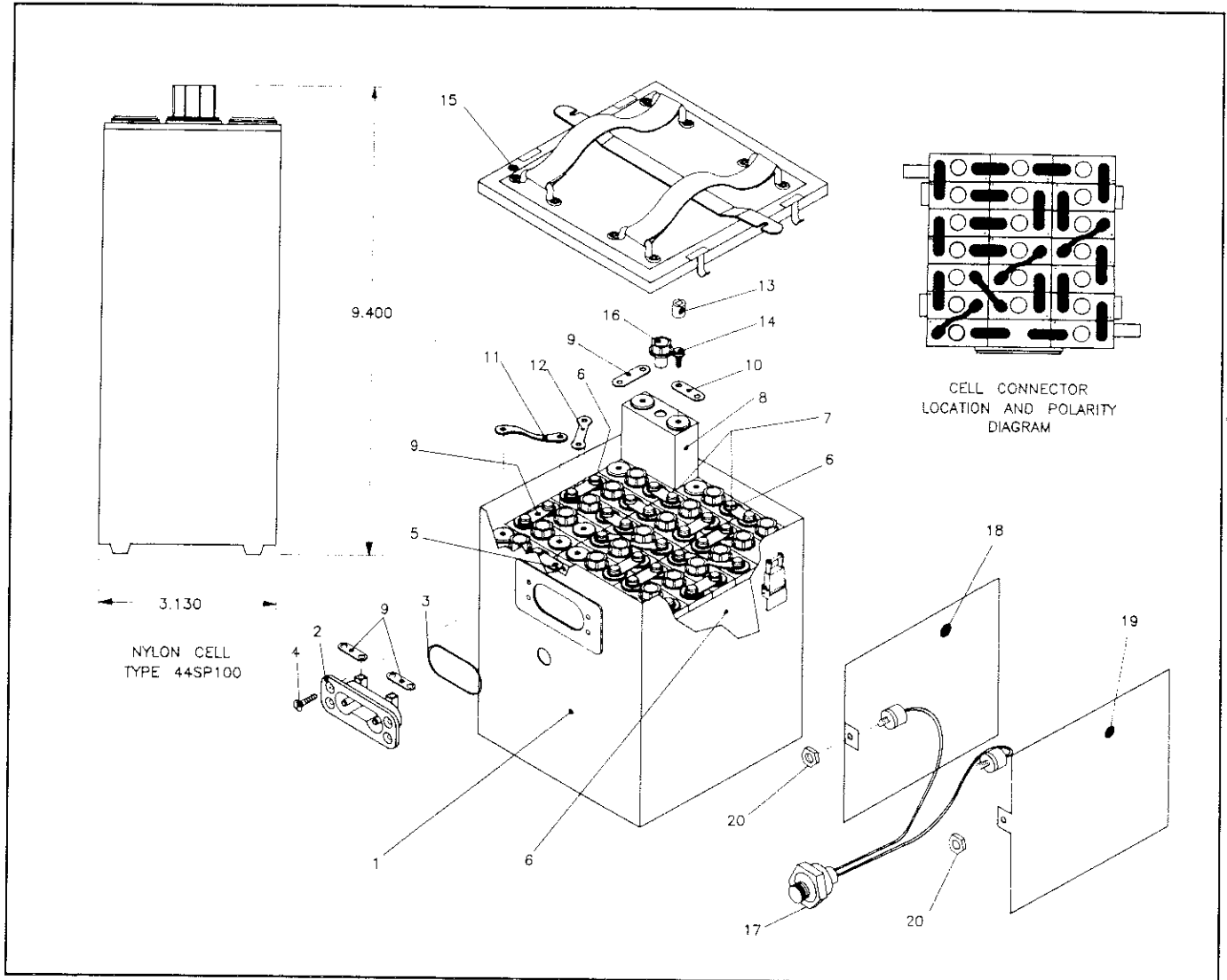


# Marathon Power Technologies

## Nickel-Cadmium Aircraft Batteries

### Model TSP-414 Battery Replacement Parts



Item	Description	Part Number	Quantity	Item	Description	Part Number	Quantity
1	Can, Marked	40419-001	1	11	Connector, S	16167-006	3
2	Assembly, Receptacle	16163-023	1	12	Connector	16167-007	1
3	Ring, Rectangular	24583-001	1	13	Bit, T30 Torx Drive	30938-001	1
4	Screw, FH SEMS	23084-001	4	14	Screw, SEMS Torx	30877-002	42
5	Assembly, Spacer	30719-002	1	15	Cover Assembly	40325-002	1
6	Shim	9988-047	3	16	Filler Cap	16934-001	20
7	Shim	9988-174	3	17	Assembly Harness	29432-012	1
8	Cell Assembly	44SP100	20	18	LH Thermo Plate	30718-001	1
9	Connector	16102-135	12	19	RH Thermo Plate	30718-001	1
10	Connector	16102-136	5	20	Hex Nut	15013-012	2

## Marathon Power Technologies

Battery Products

P.O. Box 8233 • Waco, Texas 76714

8301 Imperial Drive • Waco, Texas 76710

(817) 776-0650 • TWX 910-5203 MARATHON WAC