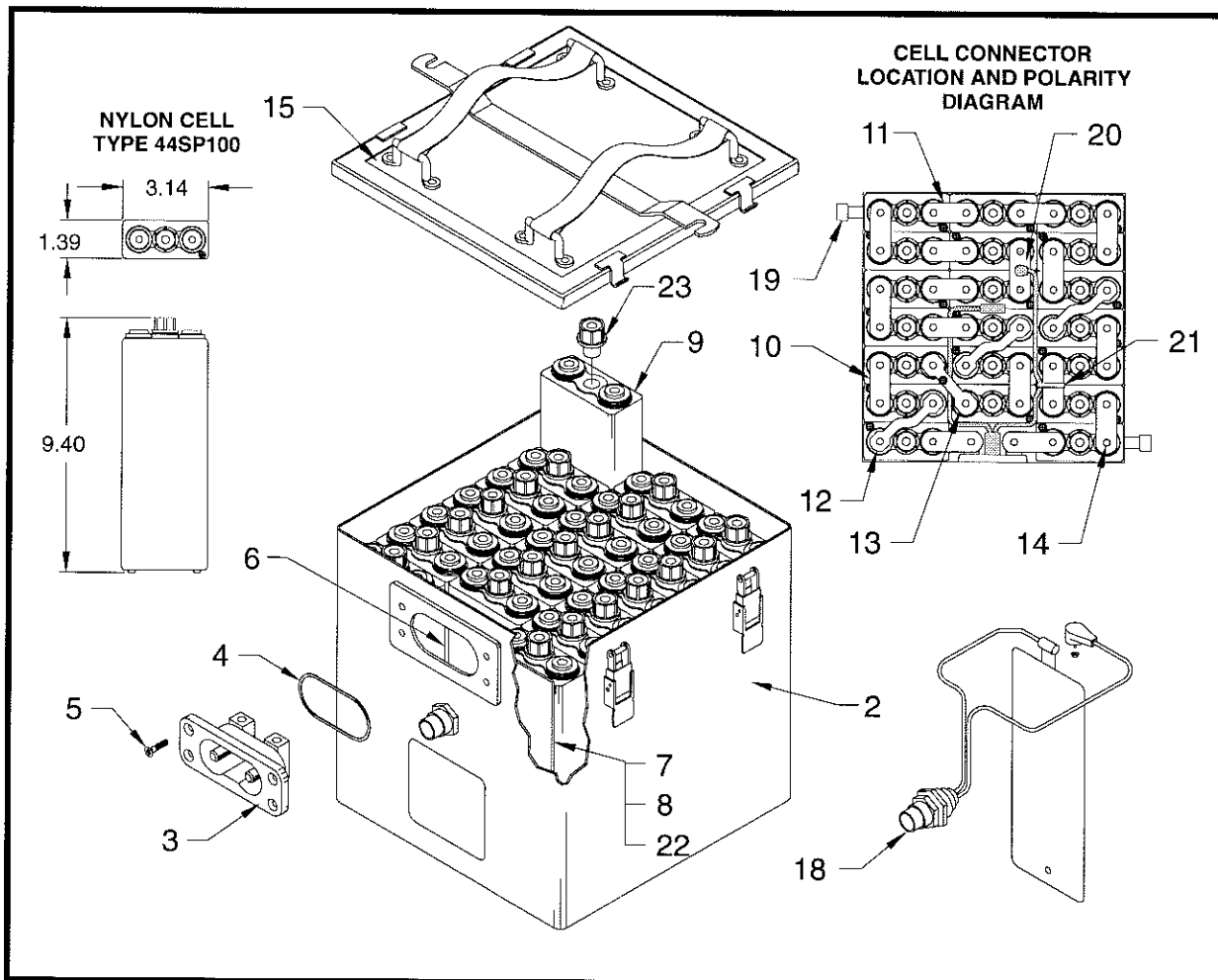


Marathon Power Technologies Company

Nickel-Cadmium Aircraft Batteries

Model TSP-442 Replacement Parts



ITEM	DESCRIPTION	PART NUMBER	QTY	ITEM	DESCRIPTION	PART NUMBER	QTY
1	BATTERY, TSP-442	31714-001	1	13	CONNECTOR	16167-007	1
2	CAN, MARKED	40452-001	1	14	SCREWS, SEMS TORX	30877-002	42
3	ASSEMBLY, RECEPTACLE	16163-023	1	15	COVER, MARKED	40325-002	1
4	RING, RECTANGULAR	24583-001	1	16	SPRING, SHORTING	25908-001	1
5	SCREW, FH. SEMS.	23084-001	4	17	CAP, DUST	26916-001	1
6	ASSEMBLY, SPACER	27291-012	1	18	TEMP PROBE	32140-002	1
7	SHIM	9988-232	2	19	CAP, DUST	16065-012	2
8	SHIM	9988-047	1	20	CONNECTOR	28847-046	1
9	ASSY, CELL 44SP100	31004-01C	20	21	CABLE TIE	29247-001	1
10	CONNECTOR	16102-135	11	22	SHIM	9988-174	5
11	CONNECTOR	16102-136	5	23	FILLER CAP	16934-001	20
12	CONNECTOR	16167-006	3	24			



Marathon Power Technologies Company

Battery Products

P.O. Box 8233, Waco, Texas 76714

8301 Imperial Drive, Waco, Texas 76712

TEL (817) 776-0650 FAX (817) 776-6558

HI015596