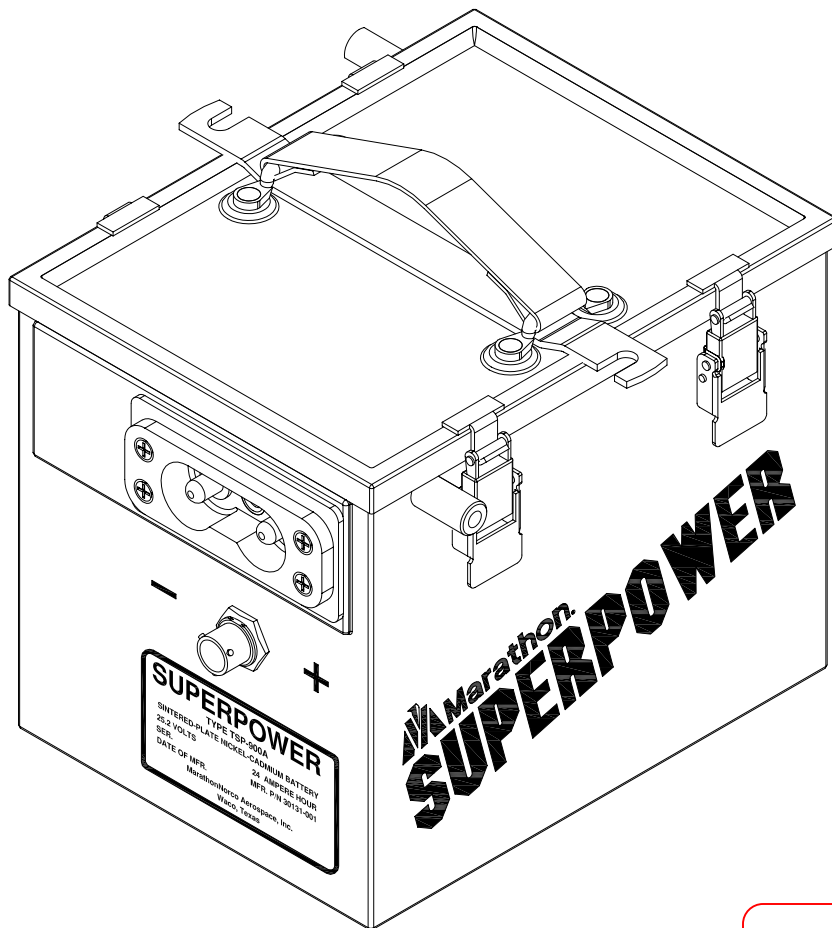




Nickel-Cadmium Aircraft Batteries

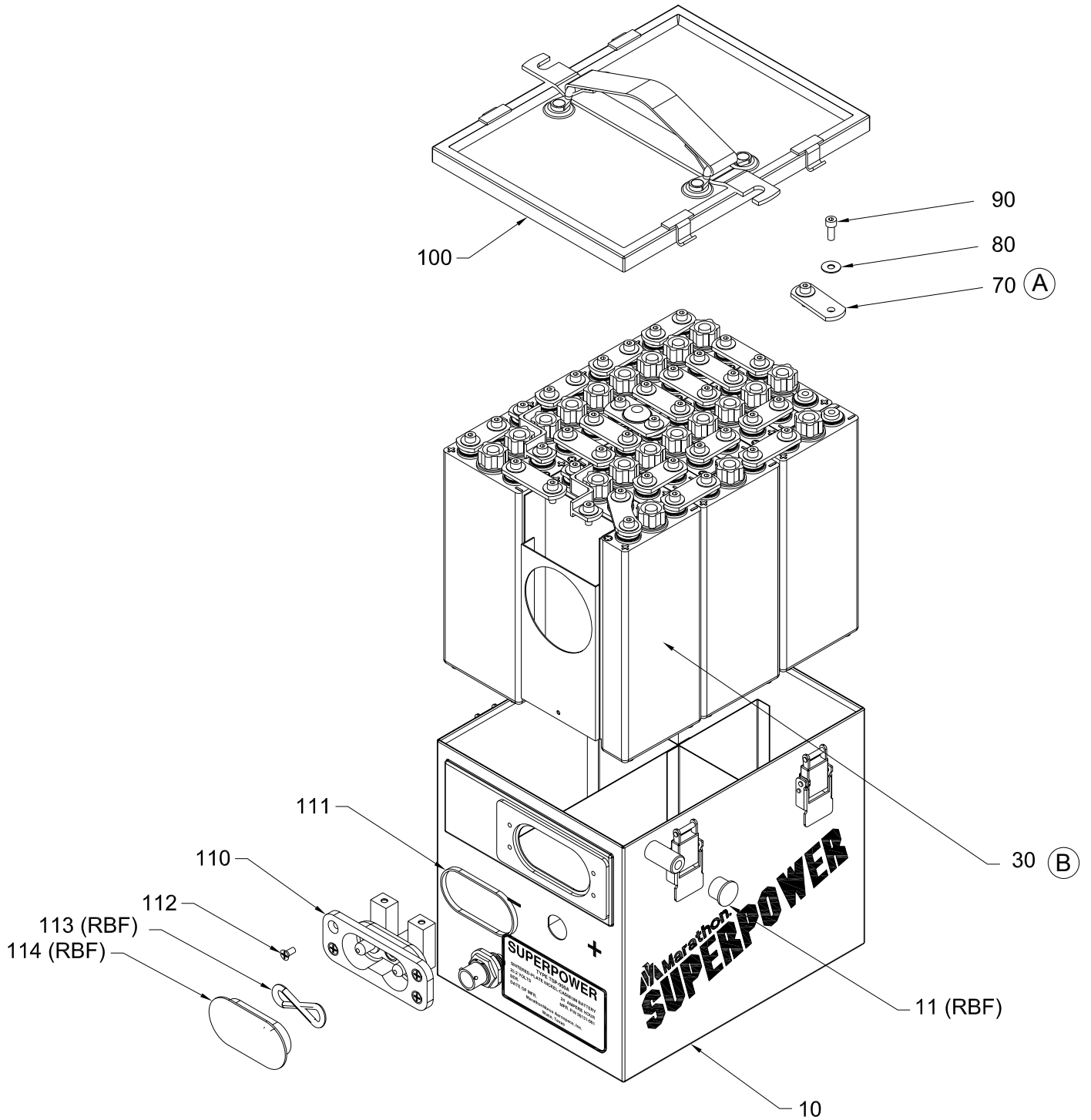
Model TSP-900A Battery Replacement Parts



**MNAI
Released
Non-Controlled**

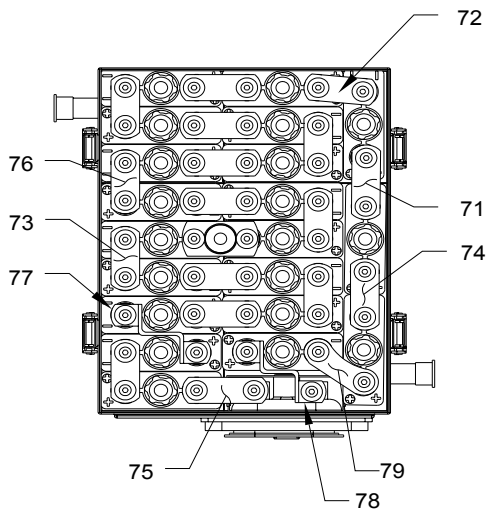
MarathonNorco Aerospace

PO Box 8233, Waco, Texas 76714-8233
8301 Imperial Dr., Waco, Texas 76712
Phone (254) 776-0650 / Fax (254) 776-6558

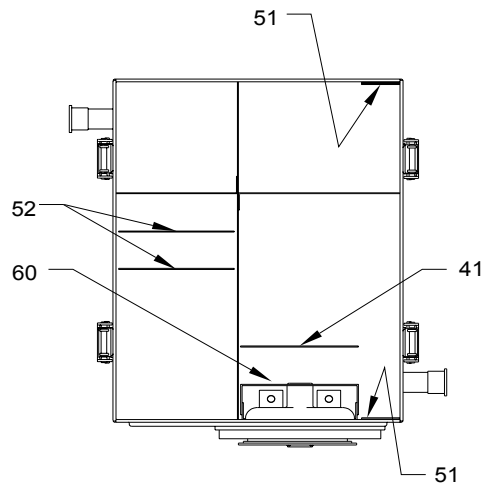


MarathonNorco Aerospace

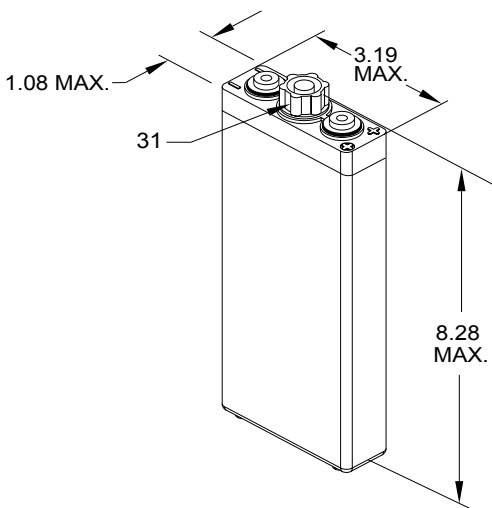
PO Box 8233, Waco, Texas 76714-8233
 8301 Imperial Dr., Waco, Texas 76712
 Phone (254) 776-0650 / Fax (254) 776-6558



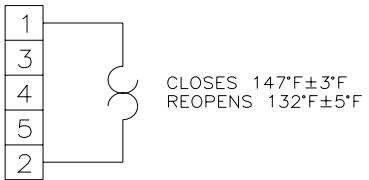
40 - 70 REF.
DETAIL A



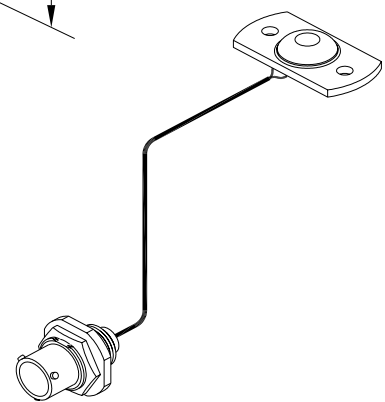
BARRIERS, SHIMS AND SPACER



30 REF.
DETAIL B



SCHEMATIC



120 REF.
DETAIL C

ILLUSTRATED PARTS LIST

Figure item	Part Number	Nomenclature	Units Per Assy
1	30131-001	BATTERY, TSP-900A 20-24SP100 (30260-001)	1
10	40080-001	CAN ASSEMBLY, MARKED	1
11	16065-012	DUST CAP (RBF)	2
30	30102-01C	CELL ASSEMBLY, 24SP100 (30101-01C)	20
31	16934-001	FILLER CAP ASSEMBLY	20
-40		BARRIER	
41	9988-159	BARRIER	2
-50		SHIMS	
51	9988-084	SHIM, NYLON	7
52	9988-085	SHIM, NYLON	3
-60	29003-018	SPACER	1
-70		CONNECTORS	
71	16102-006	CONNECTOR	7
72	16102-007	CONNECTOR	1
73	16102-052	CONNECTOR	6
74	16102-053	CONNECTOR	1
75	16102-083	CONNECTOR	1
76	16102-110	CONNECTOR	1
77	28099-003	CONNECTOR	1
78	28099-004	CONNECTOR	1
79	18006-002	CONNECTOR	1
80	16128-001	BELLEVILLE WASHER	42
90	10488-020	SCREW, SOCKET HEAD CAP	42
100	40071-001	ASSEMBLY, COVER MARKED	1
110	16163-003	ASSEMBLY RECEPTACLE	1
111	24583-001	RING, RECTANGULAR	1
112	23084-001	SCREW, FL.HD. SEMS 8-32 x 3/8	4
113	25908-001	SPRING, SHORTING (RBF)	1
114	26916-001	COVER, DUST INSULATOR (RBF)	1
120	30920-002	ASSEMBLY, RECEPTACLE & THERMOSTAT	1

RBF - REMOVE BEFORE FLIGHT



PO Box 8233, Waco, Texas 76714-8233
8301 Imperial Dr., Waco, Texas 76712
Phone (254) 776-0650 / Fax (254) 776-6558

IPL-1034