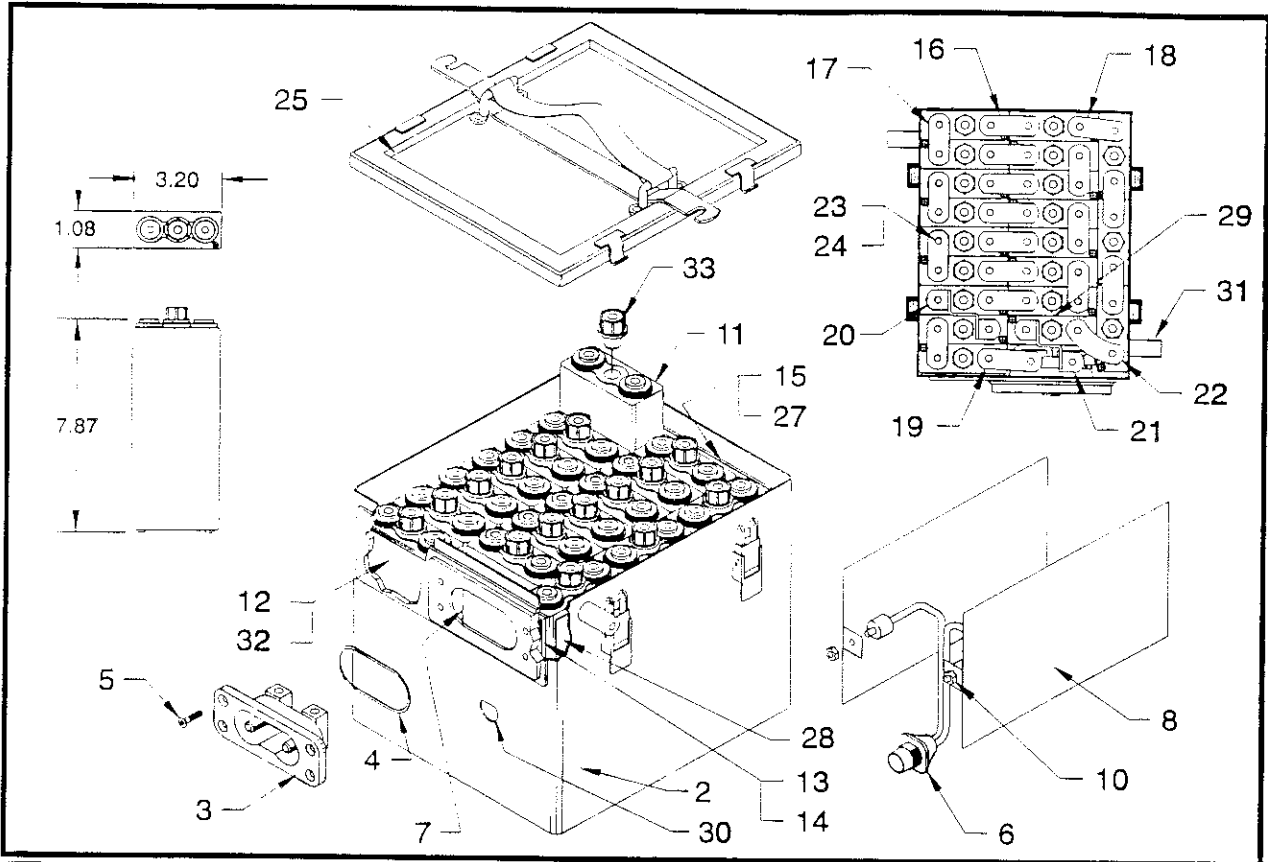


# Marathon Power Technologies Company

## Nickel-Cadmium Aircraft Batteries Model TSP - 9117B Replacement Parts



| ITEM | DESCRIPTION              | PART NUMBER | QTY | ITEM | DESCRIPTION        | PART NUMBER | QTY |
|------|--------------------------|-------------|-----|------|--------------------|-------------|-----|
| 1    | BATTERY, TSP-9117B       | 31455-002   | 1   | 18   | CONNECTOR          | 16102-032   | 1   |
| 2    | CAN, MARKED              | 40405-002   | 1   | 19   | CONNECTOR          | 16102-123   | 1   |
| 3    | ASSEMBLY, RECEPTACLE     | 16163-003   | 1   | 20   | CONNECTOR          | 28099-003   | 1   |
| 4    | RING, RECTANGULAR        | 24583-001   | 1   | 21   | CONNECTOR          | 18099-004   | 1   |
| 5    | SCREWS                   | 23084-001   | 4   | 22   | CONNECTOR          | 18006-002   | 1   |
| 6    | ASSEMBLY, HARNESS, TEMP. | 29432-009   | 1   | 23   | SCREW, SOC. HD.    | 10488-020   | 42  |
| 7    | ASSEMBLY, SPACER         | 31260-002   | 1   | 24   | WASHER, BELLEVILLE | 16128-028   | 42  |
| 8    | PLATE, THERMAL           | 30718-003   | 2   | 25   | COVER, MARKED      | 40327-002   | 1   |
| 9    | COVER, DUST              | 26916-001   | 1   | 26   | SPRING, SHORT OUT  | 25908-001   | 1   |
| 10   | NUT, HEX. ESNA           | 15013-012   | 2   | 27   | SHIM               | 9988-027    | 1   |
| 11   | CELL, 24SP100            | 30102-01C   | 20  | 28   | SHIM               | 9988-051    | 2   |
| 12   | SHIM                     | 9988-174    | 3   | 29   | BARRIER            | 9988-159    | 1   |
| 13   | SHIM                     | 9988-236    | 1   | 30   | DUST CAP           | 16065-001   | 1   |
| 14   | SHIM                     | 9988-050    | 3   | 31   | DUST CAP           | 16065-012   | 2   |
| 15   | SHIM                     | 9988-049    | 1   | 32   | SHIM               | 9988-101    | 2   |
| 16   | CONNECTOR                | 16102-018   | 9   | 33   | FILLER CAP         | 16934-001   | 20  |
| 17   | CONNECTOR                | 16102-052   | 7   | 34   |                    |             |     |



**Marathon Power Technologies Company**

Battery Products

P.O. Box 8233, Waco, Texas 76714

8301 Imperial Drive, Waco, Texas 76712

TEL (817) 776-0650 FAX (817) 776-6558

Hi010996