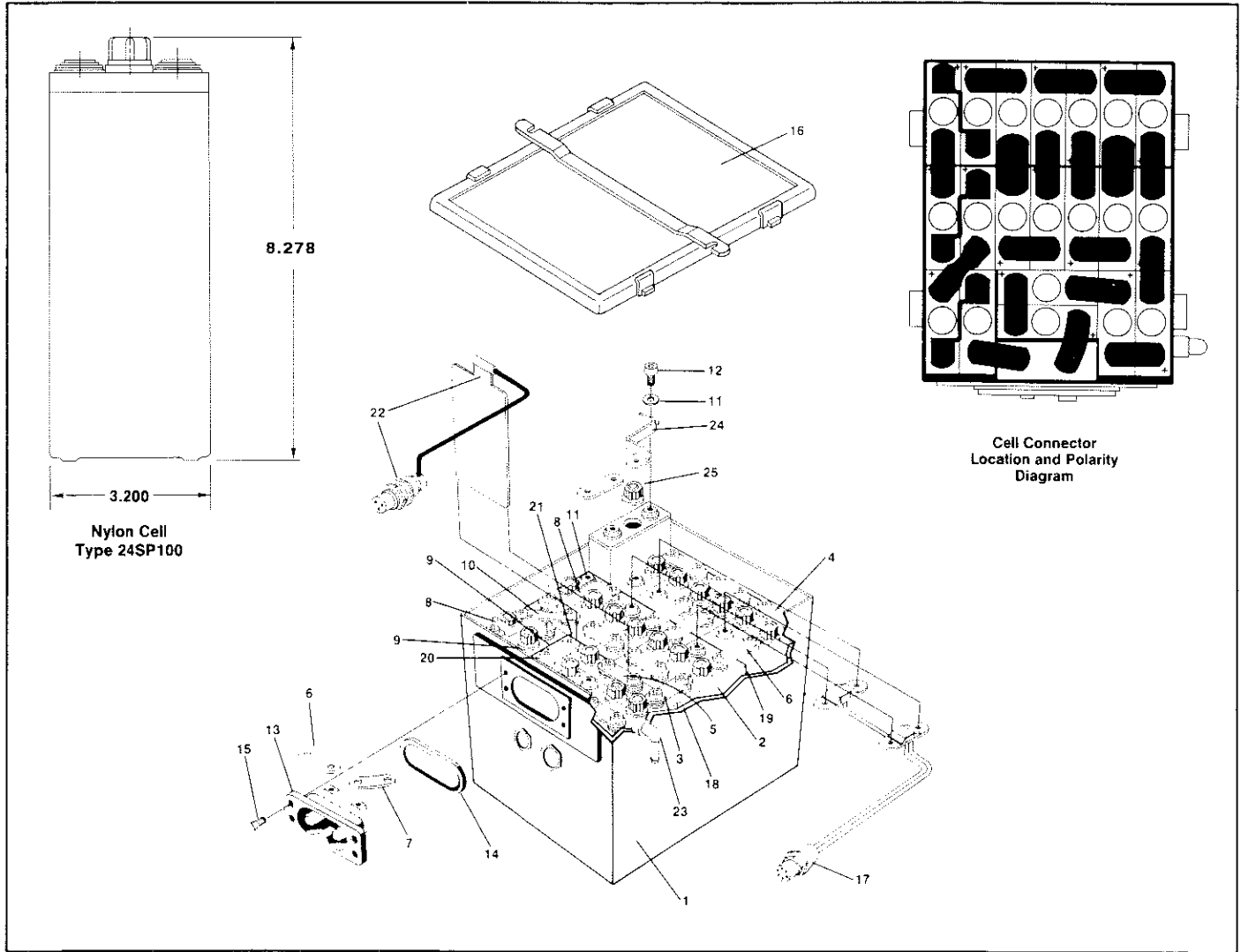


Marathon Batteries

Nickel-Cadmium Aircraft Batteries

Model TSTSP-940 Battery Replacement Parts



Item	Description	Part Number	Quantity	Item	Description	Part Number	Quantity
1	Can, Marked	40299-001	1	14	Ring, Rectangular	24583-001	1
2	Cell, Assembly	24SP100	20	15	Screw, Phillips Hd.	23084-001	4
3	Connector	16102-018	1	16	Cover, Marked	40302-002	1
4	Connector	16102-052	7	17	Assembly, Temp. Sensors	30920-003	1
5	Connector	16102-007	1	18	Shim	9988-051	2
6	Connector	16102-006	5	19	Shim	9988-049	3
7	Connector	24574-001	1	20	Shim	9988-174	1
8	Connector	28099-003	2	21	Barrier	30449-001	1
9	Shim	9988-253	8	22	Assembly, Temp. Sensor, Tramm P600	29084-005	1
10	Connector	29348-001	1	23	Elbow, Pipe to Hose, 90°	31343-001	1
11	Spring, Belleville	16128-001	42	24	Connector	28099-002	1
12	Screw, Socket Hd. Cap	10488-020	42	25	Filler Cap	16934-001	20
13	Assembly, Receptacle	16163-003	1				

Marathon Power Technologies

Battery Products

P.O. Box 8233 • Waco, Texas 76714

8301 Imperial Drive • Waco, Texas 76710

(817) 776-0650 • TWX 910-894-5203 MARATHON WAC