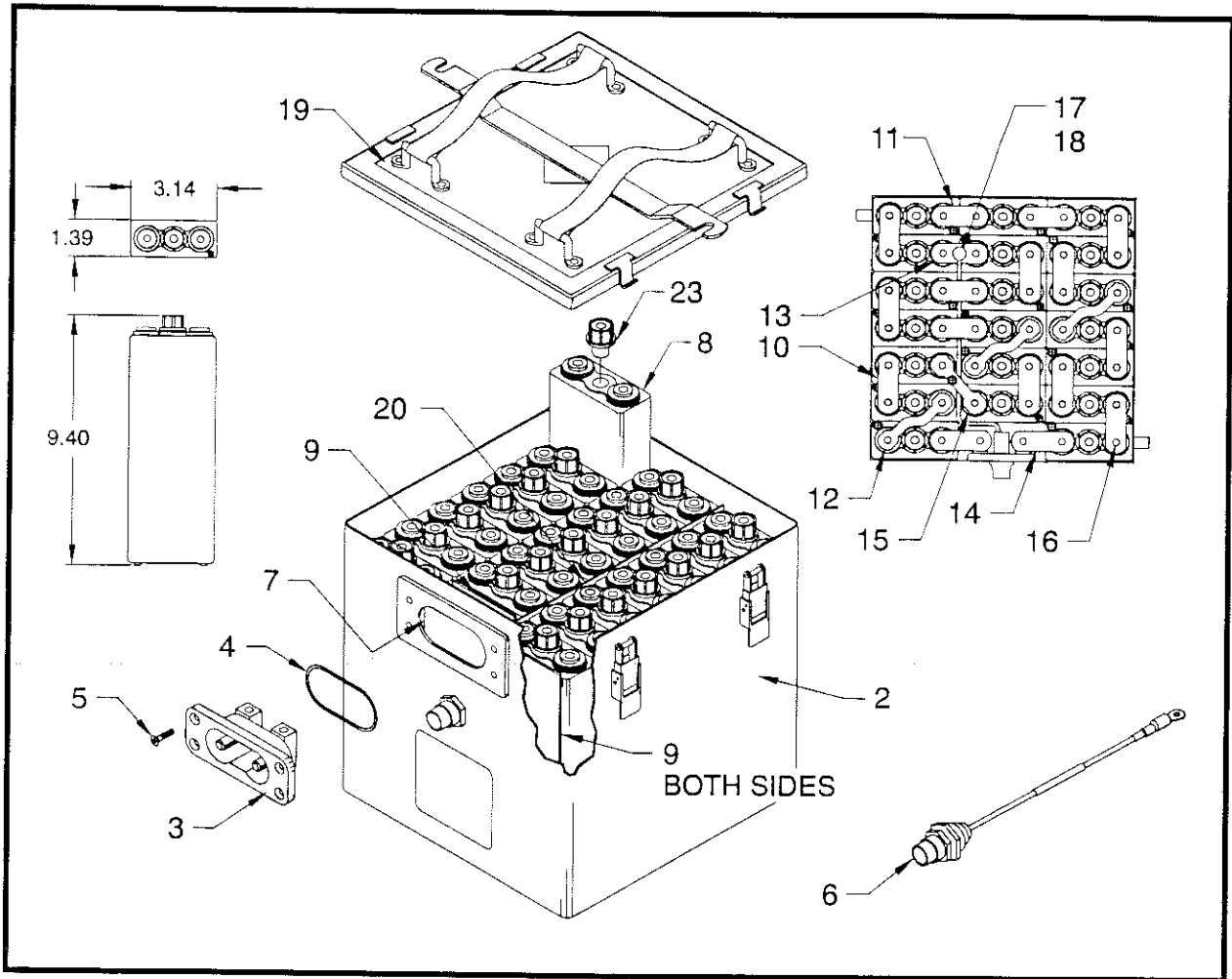


Marathon Power Technologies Company

Nickel-Cadmium Aircraft Batteries

Model UTSP - 400 Replacement Parts



ITEM	DESCRIPTION	PART NUMBER	QTY	ITEM	DESCRIPTION	PART NUMBER	QTY
1	BATTERY, UTSP-400	31006-002	1	13	CONNECTOR	28847-039	1
2	CAN, MARKED	40253-002	1	14	CONNECTOR	16102-172	2
3	ASSEMBLY, RECEPTACLE	16163-023	1	15	CONNECTOR	16167-007	1
4	RING, RECTANGULAR	24583-001	1	16	SCREW, SEMS TORX	30877-002	42
5	SCREW	23084-001	4	17	SCREW, CAP #10 X 1/2 CRES.	10246-024	1
6	ASSEMBLY, TEMP SENSOR	31023-001	1	18	NUT, ESNA #10 CRES.	15013-004	1
7	ASSEMBLY, SPACER	27291-008	1	19	COVER, MARKED	40062-001	1
8	CELL 40SP100	30114-01C	20	20	SHIM	9988-232	1
9	SHIM	9988-209	6	21	SPRING, SHORTING	250908-001	1
10	CONNECTOR	16102-131	10	22	CLOSURE, PROTECTIVE	26916-001	1
11	CONNECTOR	16102-187	4	23	FILLER CAP	16934-001	20
12	CONNECTOR	16167-006	3	24			



Marathon Power Technologies Company

Battery Products

P.O. Box 8233, Waco, Texas 76714

8301 Imperial Drive, Waco, Texas 76712

TEL (817) 776-0650 FAX (817) 776-6558

HI011596