



INC.

8301 Imperial Dr.
Waco, Texas 76712

SERVICE BULLETIN

NO. A2972-78-3

POWER PLANT - FAN COWLING - HOLD OPEN ROD
INSPECT AND REPLACE END FITTING

I PLANNING INFORMATION

A. Effectivity

(1) Component Affected

This Service Bulletin affects the following hold open rods that are in service.

<u>Norco P/N</u>	<u>Serial Numbers</u>
A2972-1	0001-0335
A2972-2	0001-0414
A2972-21	0001-0804

(2) Spares Affected

This Service Bulletin affects those units listed above that are in airline spares stores, if applicable.

B. Reason

The incorporation of this Service Bulletin will provide a procedure to inspect end fittings for a casting defect and replace fittings that are found to be defective.

A2972-78-3

APRIL 1/94



INC.

8301 Imperial Dr.
Waco, Texas 76712

SERVICE BULLETIN

C. Description

This Service Bulletin is to inform all users of the procedures and detailed instructions required for inspecting and reworking Norco part numbers A2972-1, A2972-2, and A2972-21. The inspection requires a visual check of the threaded shank of the end fitting to determine casting porosity. The rework requires defective fittings to be removed and replaced.

D. Approval

The repair and modifications herein comply with the applicable Federal Aviation Regulations (FARs) and are approved by Rohr Inc.

E. Manpower

Inspect End Fitting on Aircraft	.1 Hrs.
Remove Rod Assembly from Aircraft	.2 Hrs.
Replace End Fitting	.5 Hrs.
Replace Rod Assembly in Aircraft	.2 Hrs.
TOTAL	1.0 Hrs.

F. Material Cost and Availability

The parts identified in Section III, A. may be obtained from NORCO, INC., at no charge, as follows:

A2972-78-3

APRIL 1/94



INC.

8301 Imperial Dr.
Waco, Texas 76712

SERVICE BULLETIN

<u>Part No.</u>	<u>Description</u>	<u>Availability</u>	<u>Price</u>
RW2972-3	Rework Kit Hold Open Rod	30 Days	No Charge

DIRECT PURCHASE ORDER TO: MarathonNorco Aerospace, Inc,
8301 Imperial Dr.
Waco, Texas 76712
254-776-0650 Main Line
254-776-6558 Fax

G. Tooling - Cost and Availability

Not applicable.

H. Weight and Balance

The incorporation of this Service Bulletin will have no affect on weight and balance.

I. Other Publications Affected

Component Maintenance Manual No. 78-31-03, REV. A, for Hold Open Rods, Part Numbers A2972-1, -2, -11, and -21 to be changed accordingly.

II. ACCOMPLISHMENT INSTRUCTIONS

A. Inspection

- (1) Locate the threaded end of the clevis fitting, item 5, shown in Figure 1.
- (2) Determine if the end of the fitting can be cleaned and inspected on the aircraft. The hold open rod should be removed from the aircraft if access to the end of the fitting is limited.

A2972-78-3

APRIL 1/94



INC.

8301 Imperial Dr.
Waco, Texas 76712

SERVICE BULLETIN

- (3) Clean the end of the fitting using a soft non-metallic brush moistened with 1-1-1 trichloroethane solvent or equivalent. Wipe end of fitting with clean cloth until cloth comes away clean.
- (4) Visually inspect the end of the fitting for any evidence of porosity. Porosity may appear as a dark spot, crack, or cavity. Replace fitting if end shows any evidence of porosity.

B. Disassembly

- (1) Remove rivet, item 4, by drilling out manufactured head using a 0.1562 inch (3.97 mm) diameter drill.
- (2) Punch out rivet, item 4, and remove clevis fitting, item 5, from clevis end plug, item 6, 6A.

C. Assembly

- (1) Place new clevis fitting (P/N AM2972-1-13), item 5, in clevis of end plug fitting, item 6, 6A. Insert new rivet (MS20613-5C14) and check that new fitting rotates freely 180°.
- (2) Spin or form head on unfinished end of new rivet, item 4.

III MATERIAL INFORMATION

A. Parts Required Per Hold Open Rod

A rework kit is available, part number RW2972-3, which contains the following parts to rework hold open rods A2972-1, -2, and -21.

A2972-78-3

APRIL 1/94



INC.

8301 Imperial Dr.
Waco, Texas 76712

SERVICE BULLETIN

<u>Item No.</u>	<u>P/N Provided</u>	<u>Quantity</u>	<u>Keyword</u>
4	MS20613-5C14	1	Rivet
5	AM2972-1-13	1	Fitting

Item numbers correspond to those shown in Figure 1.

B. Parts Required to Modify Spares

(If Applicable) Same parts as items IIIA. above.

A2972-78-3

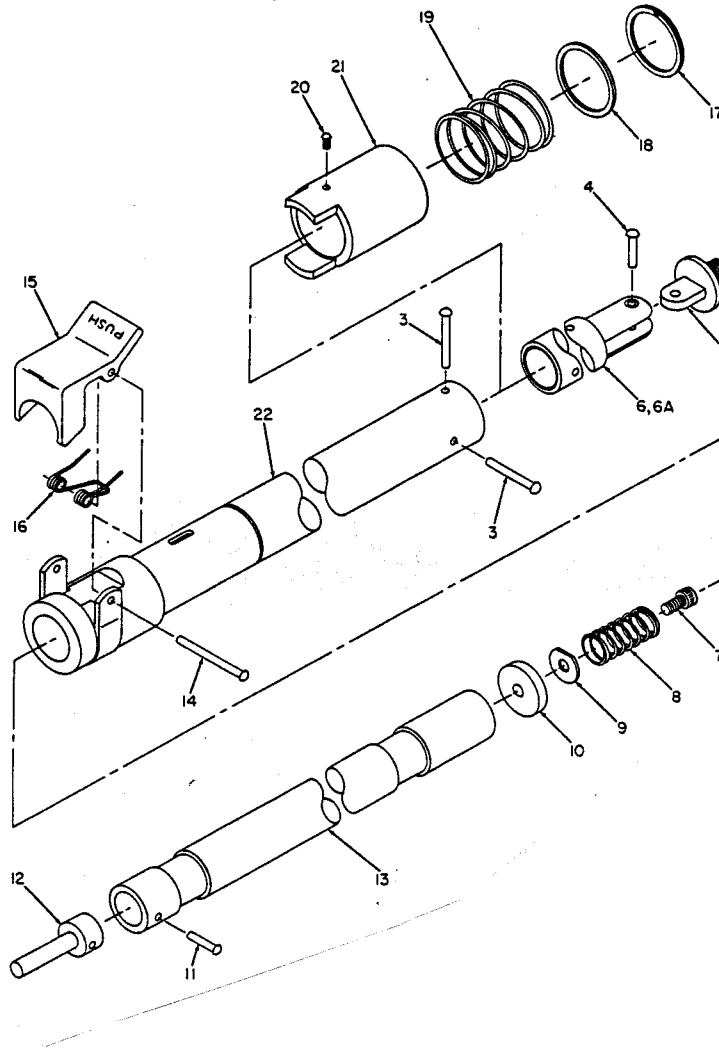
APRIL 1/94

NORCO

INC.

8301 Imperial Dr.
Waco, Texas 76712

SERVICE BULLETIN



**STRUT ASSEMBLY
A2972-1, A2972-2, OR A2972-21
IPL FIGURE 1**

A2972-78-3

APRIL 1/94