



8301 Imperial Dr.  
Waco, Texas 76712

# SERVICE BULLETIN

## NO. A3068-71-1

POWER PLANT - FAN COWLING - HOLD OPEN ROD  
ROTATE END FITTING 120 DEGREES

### I PLANNING INFORMATION

#### A. Effectivity

##### (1) Component Affected

This Service Bulletin affects hold open rods NORCO Part No. A3068-1 (Per Rohr Specification Part No. 238D1025-501) that are installed in the aft section of the left fan cowl.

##### (2) Spares Affected

This Service Bulletin affects those Part No. A3068-1 units in airline spares stores, if applicable.

#### B. Reason

The incorporation of this Service Bulletin will rotate the end fitting 120 degrees to prevent interference with the engine main fuel line.

#### C. Description

This Service Bulletin is to inform all users of the procedures and the detailed instructions required for reworking Norco part number A3068-1. The rework requires removing the end fitting and rotating it 120 degrees.

#### D. Approval

This Service Bulletin has been reviewed by Federal Aviation Administration (FAA). The repair and modifications herein comply with the applicable Federal Aviation Regulations (FARs) and are approved by FAA and Rohr Industries, Inc.

# A3068-71-1



8301 Imperial Dr.  
Waco, Texas 76712

# SERVICE BULLETIN

E. Manpower

Required to remove Strut Assembly from Aircraft	.5 hrs.
Rotate End Fitting and mark Outer Tube	1.0 hrs.
Replace Strut Assembly in Aircraft	.5 hrs.
<b>TOTAL</b>	<b>2.0 hrs.</b>

F. Material Cost and Availability

No new parts are required to accomplish this Service Bulletin.

G. Tooling - Cost and Availability

Not applicable.

H. Weight and Balance

Incorporation of this Service Bulletin will not increase the weight of the Strut Assembly. The effect on balance is negligible.

I. Other Publications Affected

Component Maintenance Manual No. 71-13-12 for Hold Open Rod, Part No. A3068-1 to be changed accordingly.

## II ACCOMPLISHMENT INSTRUCTIONS

A. Disassembly (See Figure 1)

- (1) Cut safety wire on three end fitting retaining screws and remove safety wire from holes in screws.
- (2) Remove three screws from end fitting by turning counterclockwise.

# NORCO INC.

8301 Imperial Dr.  
Waco, Texas 76712

## SERVICE BULLETIN

### B. Assembly (See Figure 2)

- (1) Rotate end fitting 120 degrees as shown in Figure 2.
- (2) Apply Loctite 222 to threads of three retaining screws removed in Step IIA (2). Insert three retaining screws and tighten turning clockwise to a torque of 35 in. lbs.
- (3) Safety wire three retaining screws using MS20995C32 safety wire.
- (4) Paint in white letters on the outer tube "left hand aft only" in three places around circumference of outer tube, as shown in Figure 3. Clean area to be painted by rubbing with wiper damped with Aliphatic Naphtha, TT-N-95, or equivalent. Avoid removing epoxy finish coating on outer. After dirt is removed, wipe area dry with a clean dry wiper. Paint letters with epoxy per MIL-C-22750, color white #17875 per FED-STD-595. Height, width, and spacing of letters should be as shown in Figure 3.
- (5) Clean area immediately following NORCO P/N A3068-1 by rubbing with wiper damped with Aliphatic Naphtha, TT-N-95, or equivalent. Wipe area dry with a clean dry wiper. Using rubber stamp letter size 1/8" to 3/16" and Alcosol or F-100 stamp pad ink, or equivalent, apply the Letter "M" immediately following the dash number "-1". Allow ink to dry at least ten minutes and overcoat with Bostik 683-3-2 or 683-3-9 or equivalent.

### III MATERIAL INFORMATION

#### A. Parts Required Per Hold Open Rod

No new parts are required to accomplish this Service Bulletin. Materials required are safety wire, MS20995C32, epoxy paint per MIL-C-22750, white #17875 per FED-STD-595, and Loctite 222.

#### B. Parts Required to Modify Spares

(If applicable) Same parts as items III.A. above.

# NORCO INC.

8301 Imperial Dr.  
Waco, Texas 76712

## SERVICE BULLETIN

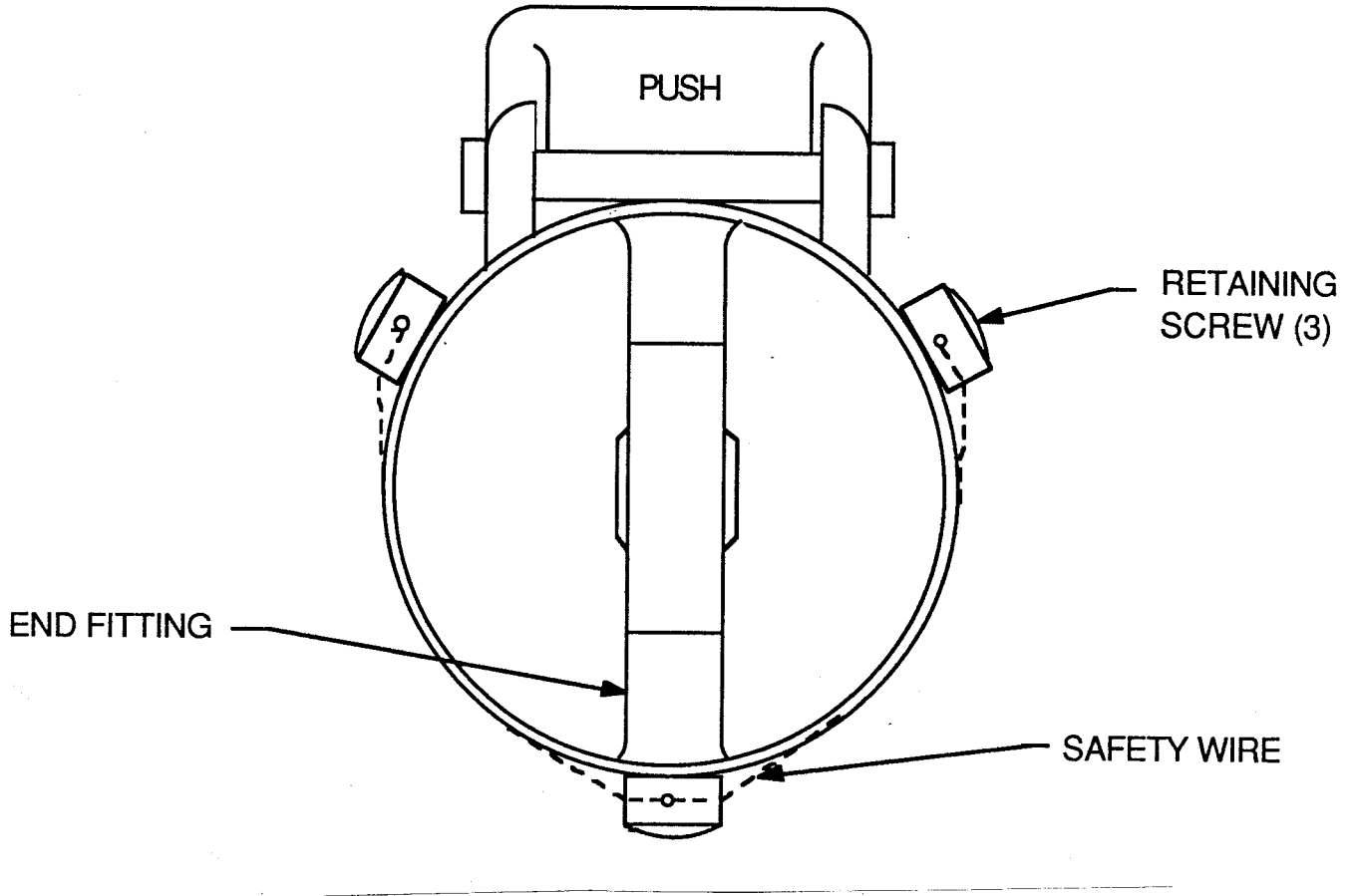


FIGURE 1 - EXISTING A3068-1 END CONFIGURATION

REV. B  
JULY/91

# A3068-71-1

# NORCO INC.

8301 Imperial Dr.  
Waco, Texas 76712

## SERVICE BULLETIN

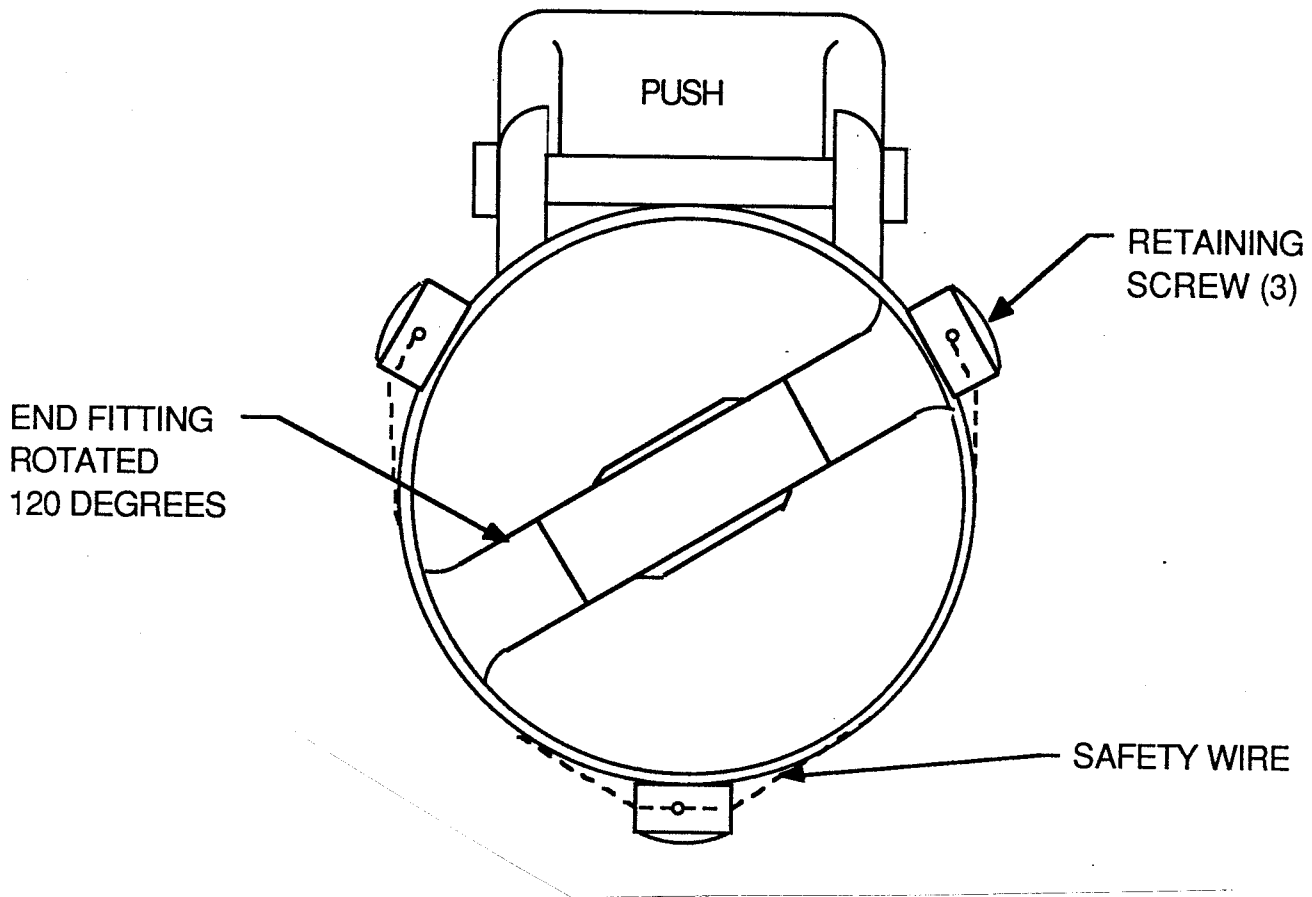


FIGURE 2 - MODIFIED A3068-1M END FITTING ROTATED 120°

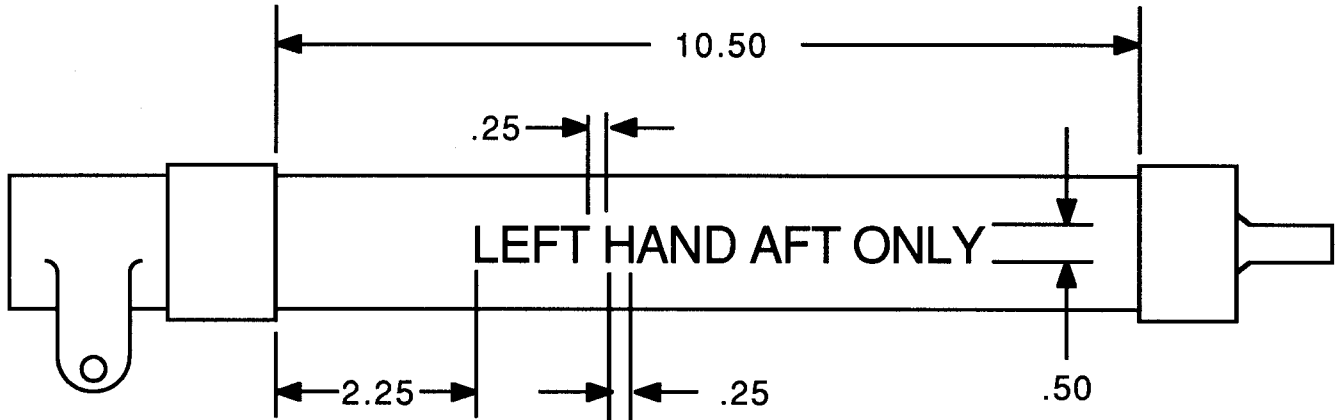
REV. B  
JULY/91

# A3068-71-1



8301 Imperial Dr.  
Waco, Texas 76712

# SERVICE BULLETIN



PAINT LETTERS WITH EPOXY PER MIL-C-22750  
WHITE #17875 PER FED-STD-595  
THREE PLACES 120 DEGREES APART

FIGURE 3 - MARKING ON OUTER TUBE